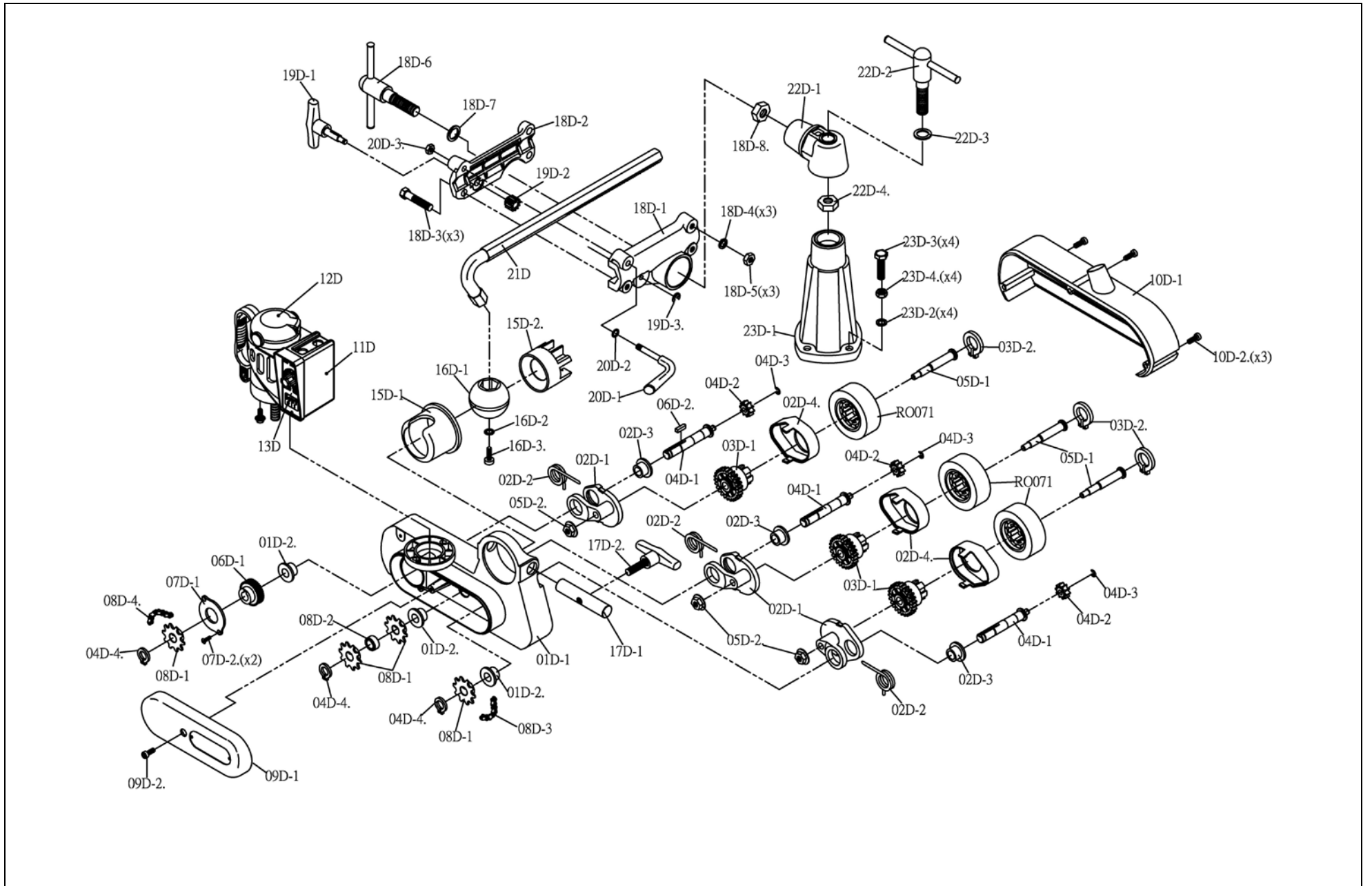


MODEL: M3 BABY FEEDER



| Part No. | Code No. | Description | Q'ty | Part No. | Code No. | Description | Q'ty | Part No. | Code No. | Description | Q'ty |
|----------|----------|----------------------------|------|----------|----------|--------------------------|------|----------|----------|--------------------------|------|
| 01D | 01D | Housing Frame Kit | 1 | 08D-1 | A500340 | Sprocket (10T) | 4 | 18D-3 | S601050 | Hex Screw (M10-1.5Px50L) | 3 |
| 01D-1 | C020338 | Housing Frame | 1 | 08D-2 | A500341 | Bushing (14x21x10.5) | 1 | 18D-4 | N030010 | Spring Washer (M10) | 3 |
| 01D-2 | A500335 | Bushing (14x(20+30)(12+3)) | 3 | 08D-3 | K340018 | Chain (18S) | 1 | 18D-5 | N11010R | Nut (M10-1.5P) | 3 |
| 02D | 02D | Sprocket Case Kit | 3 | 08D-4 | K340024 | Chain (24S) | 1 | 18D-6 | G020015A | Lever (M16-2.0P) | 1 |
| 02D-1 | C020047 | Sprocket Case | 1 | 09D | 09D | Housing Cover Kit | 1 | 18D-7 | N011825 | Flat Washer (M18x25x2t) | 1 |
| 02D-2 | N950003 | Spring (φ30x6) | 1 | 09D-1 | U010067 | Housing Cover | 1 | 18D-8 | N11016R | Nut (M16-2.0P) | 1 |
| 02D-3 | A500335 | Bushing (14x(20+30)(12+3)) | 1 | 09D-2 | S500515 | PH. Screw (M5-0.8Px15L) | 1 | 19D | 19D | Extension Handle Kit | 1 |
| 02D-4 | U010054 | Case Cap | 1 | 10D | 10D | Roller Cover Kit | 1 | 19D-1 | G020016 | Setting Handle | 1 |
| 03D | 03D | Gear Kit (25T) | 3 | 10D-1 | U010006 | Roller Cover | 1 | 19D-2 | A500338 | Pinion (12T) | 1 |
| 03D-1 | U010005A | Gear with Bushing (25T) | 1 | 10D-2 | S500515 | PH. Screw (M5-0.8Px15L) | 3 | 19D-3 | N530005 | "E" Clip (E5) | 1 |
| 03D-2 | N510024 | Snap Ring (24) | 1 | 11D | 11D | Control Box Kit | 1 | 20D | 20D | Set-Lever Kit | 1 |
| 04D | 04D | Driving Shaft Kit | 3 | 12D | 12D | DC Motor Kit, 1/8HP | 1 | 20D-1 | G020012 | Set-Lever (M8) | 1 |
| 04D-1 | G320019 | Driving Shaft | 1 | 13D | 13D | Control System Kit | 1 | 20D-2 | N015816 | Flat Washer (5/16"x16) | 1 |
| 04D-2 | A500001 | Gear (10T) | 1 | 15D | 15D | Ball-Joint Assb. | 1 | 20D-3 | N11008R | Nut (M8-1.25P) | 1 |
| 04D-3 | N530006 | "E" Clip (E6) | 1 | 15D-1 | C020343 | Lower Ball-Housing | 1 | 21D | G080001 | Overarm (490L) | 1 |
| 04D-4 | N510014 | Snap Ring (14) | 1 | 15D-2 | C020342A | Upper Ball-Housing | 1 | 22D | 22D | Swivel-Joint Kit | 1 |
| 05D | 05D | Roller Shaft Kit | 3 | 16D | 16D | Ball Kit | 1 | 22D-1 | C020335 | Swivel-Joint | 1 |
| 05D-1 | G320020 | Roller Shaft | 1 | 16D-1 | U010056 | Ball | 1 | 22D-2 | G020015A | Lever (M16-2.0P) | 1 |
| 05D-2 | N12008R | Flange Nut (M8-1.25P) | 1 | 16D-2 | N030010 | Spring Washer (M10) | 1 | 22D-3 | N011825 | Flat Washer (M18x25x2t) | 1 |
| 06D | 06D | Bevel Gear Kit | 1 | 16D-3 | S901025 | Cap Screw (M10-1.5Px25L) | 1 | 22D-4 | N11016R | Nut (M16-2.0P) | 1 |
| 06D-1 | A500339 | Bevel Gear | 1 | 17D | 17D | Setting Stud Kit | 1 | 23D | 23D | Base Kit | 1 |
| 06D-2 | K420520 | Key (5x5x20L) | 1 | 17D-1 | G020017 | Stud Support | 1 | 23D-1 | C020340 | Base | 1 |
| 07D | 07D | Bevel Gear Cap Kit | 1 | 17D-2 | G020018 | Setting Stud | 1 | 23D-2 | N030010 | Spring Washer (M10) | 4 |
| 07D-1 | U010063 | Bevel Gear Cap | 1 | 18D | 18D | Arm-Bracket Kit | 1 | 23D-3 | S601035 | Hex Screw (M10-1.5Px35L) | 4 |
| 07D-2 | S400410 | PH. Screw (M4-0.7Px10L) | 2 | 18D-1 | C020336 | Arm-Bracket Left | 1 | 23D-4 | N11010R | Nut (M10-1.5P) | 4 |
| 08D | 08D | Transmission Ki | 1 | 18D-2 | C020337 | Arm-Bracket Right | 1 | RO07 | RO071 | ROLLER, φ76x30x1PC | 3 |