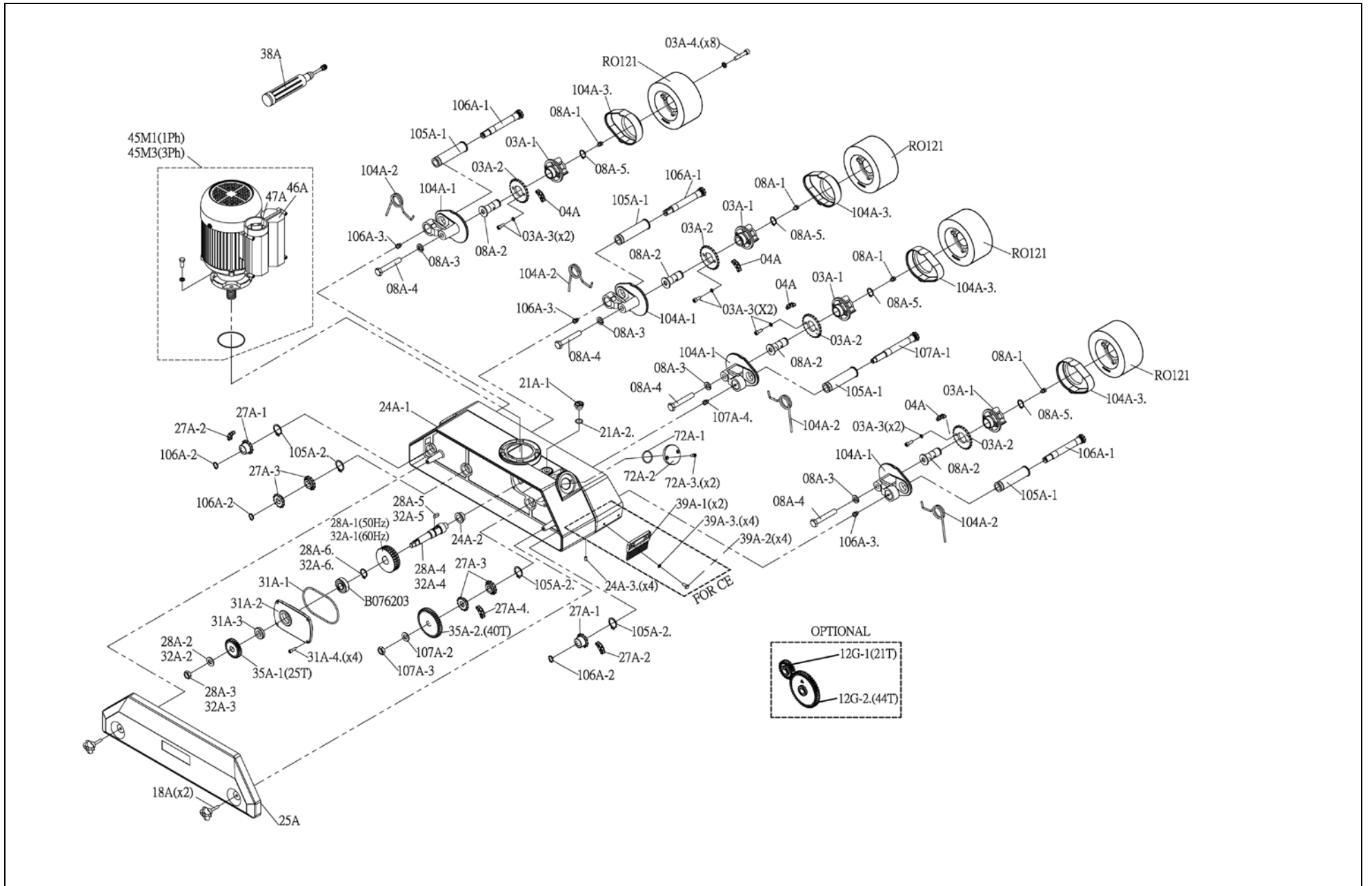
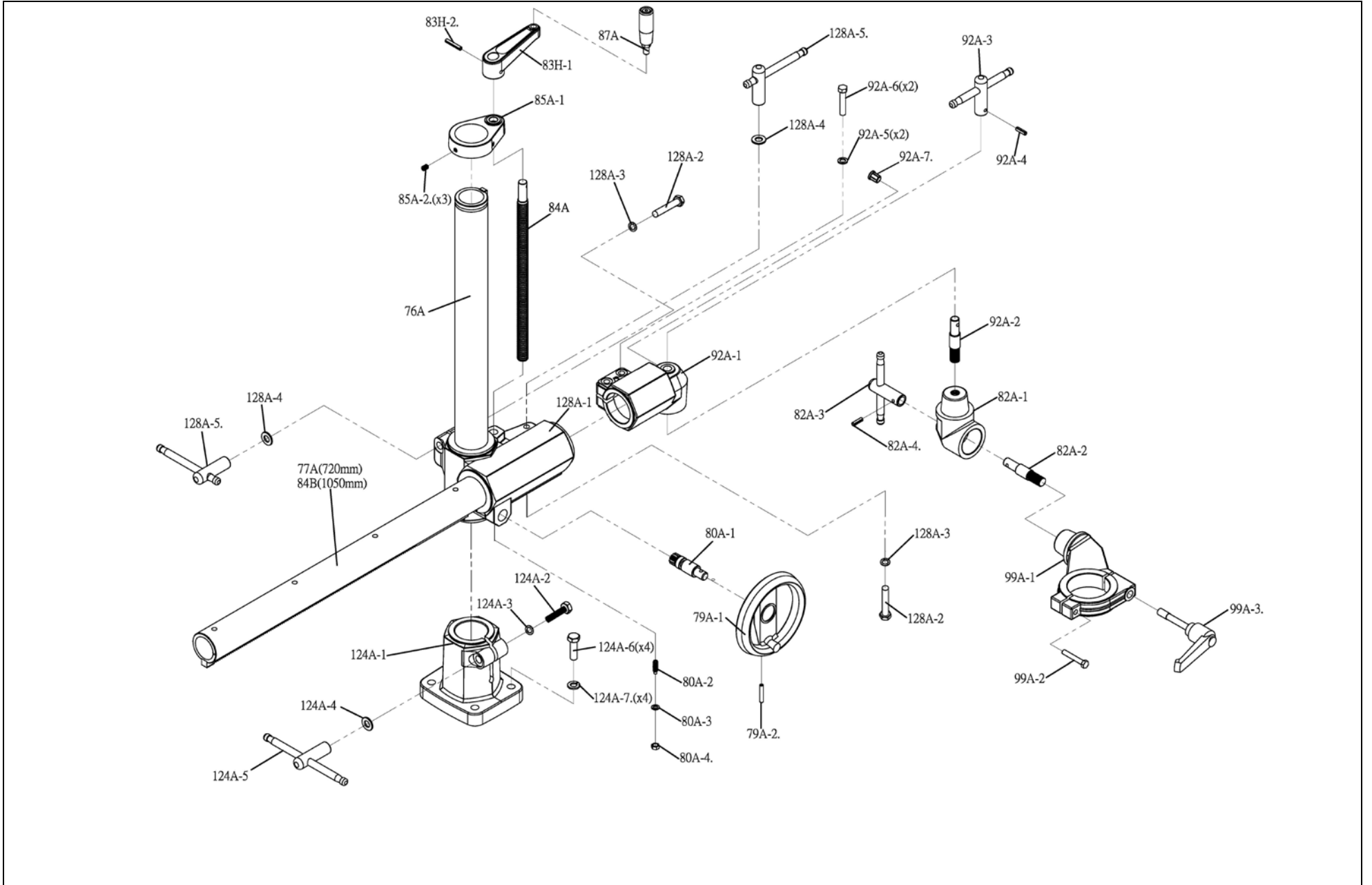


MODEL: AF44 HOUSING ASSEMBLY



Part No.	Code No.	Description	Q'ty	Part No.	Code No.	Description	Q'ty	Part No.	Code No.	Description	Q'ty
B076203	B076203	Bearing(#6203)	1	27A-3	A500307	Double-Sprocket (12T)	4	39A-3.	N050057	Lock Washer (1/4"x1.4t)	2
03A	03A	Roller Supporter Kit	4	27A-4.	K330062	Chain (62S)	1	45M1	45M1	Motor w/ Switch 1HP.1	1
03A-1	C020333A	Roller Supporter	1	28A	28A	Worm Gear Kit 50Hz	1	45M3	45M3	Motor w/ Switch 1HP.3	1
03A-2	A500309	Sprocket	1	28A-1	C120008	Worm Gear (30T, 50Hz)	1	46A	46A	Switch Box	1
03A-3	S060616	Cap Screw (M6-1.0Px16L)	2	28A-2	N011225	Flat Washer (M12x25D)	1	47A	47A	Switch Kit	1
03A-4.	S060840	Cap Screw (M8-1.25Px40L)	2	28A-3	N11012H	Nut (M12-1.75P)	1	72A	72A	Gearbox Cap Kit (4S)	1
04A	K330026	Chain (26S)	4	28A-4	G320014	Wormgear Shaft	1	72A-1	Q010028	"O" Ring (S28)	1
08A	08A	Roller Spindle Kit	4	28A-5	K420618	Key (6x6x18L)	1	72A-2	U010037	Gearbox Cap	1
08A-1	T315106	Grease Nipple (M6-1.0Px1.0)	1	28A-6.	N510022	Snap Ring (22)	1	72A-3.	S900512	Cap Screw (M5-0.8Px12L)	2
08A-2	G320028	Roller Spindle	1	31A	31A	Wormgear Box Cover Kit	1	104A	104A	Sprocket Case Kit	4
08A-3	N030012	Spring Washer (M12)	1	31A-1	Q010102	"O" Ring (G102)	1	104A-1	C020332-1	Sprocket Case	1
08A-4	S601275	Hex Screw (M12-1.75Px75L)	1	31A-2	C020345	Wormgear Box Cover	1	104A-2	N950001	Spring (φ 38x11.4)	1
08A-5.	N510020	Snap Ring (20)	1	31A-3	Q021701	Oil Seal (17x32x7t)	1	104A-3.	U010052	Case Cap	1
12G	12G	GEAR SET (21T/44T)	1	31A-4.	S070516	Cap Screw (M5-0.8Px16L)	4	105A	105A	Tube Kit	4
12G-1	A500344	Gear (21T)	1	32A	32A	Worm Gear Kit 60Hz	1	105A-1	E270006	Tube	1
12G-2.	A500345	Gear (44T)	1	32A-1	C120001	Worm Gear (38T, 60Hz)	1	105A-2.	N510026	Snap Ring (26)	1
18A	U010051	Knob (M6-1.0Px30L)	2	32A-2	N011225	Flat Washer (M12x25D)	1	106A	106A	Sprocket Shaft Kit	3
21A	21A	Oil-Cap Kit (M16)	1	32A-3	N11012H	Nut (M12-1.75P)	1	106A-1	G320132	Sprocket Shaft	1
21A-1	U010008	Lil Cap (16mm)	1	32A-4	G320014	Wormgear Shaft	1	106A-2	N510015	Snap Ring (15)	1
21A-2.	Q010012	"O" Ring (P12)	1	32A-5	K420618	Key (6x6x18L)	1	106A-3.	T315106	Grease Nipple (M6-1.0Px1.0)	1
24A	24A	Housing Frame Kit (4R)	1	32A-6.	N510022	Snap Ring	1	107A	107A	Main Sprocket Shaft Kit	1
24A-1	C020018	Housing Frame, 4R	1	35A	35A	Gear Kit (25T/40T)	1	107A-1	G320133	Main Sprocket Shaft	1
24A-2	A500301	Bushing (29Dx23Dx(9+3))	1	35A-1	A500310	Gear (25T)	1	107A-2	N011225	Flat Washer (M12x25D)	1
24A-3.	S100610	Set Screw (M6-1.0Px10L)	4	35A-2.	A500311	Gear (40T)	1	107A-3	N11012H	Nut (M12-1.75P)	1
25A	U010036	Housing Cover (4R)	1	38A	T344001	Grease Gun	1	107A-4.	T315106	Grease Nipple (M6-1.0Px1.0)	1
27A	27A	Transmission Kit (4R)	1	39A	39A	Brush Kit	2	RO121	RO121	Roller tire (120D x 60, PCs)	4
27A-1	A500303	Sprocket (12Tx3/8")	2	39A-1	U010088	Brush	1				
27A-2	K330040	Chain (40S)	2	39A-2	S600612	Hex Screw (M6-1.0Px12)	2				

MODEL: US03(L) HEAVY-DUTY UNIVERSAL STAND



Part No.	Code No.	Description	Q'ty	Part No.	Code No.	Description	Q'ty	Part No.	Code No.	Description	Q'ty
76A	E580001A	Vertical Column Kit (560L)	1	83H-2.	N810636	Lock Pin (6x36L)	1	99A-2	S600850	Hex Screw (M8-1.25Px50L)	1
77A	E580002A	Over Arm (720mm)	1	84A	G320090	Elevating Screw	1	99A-3.	T060003	Pull Handle (M12-1.75Px77L)	1
79A	79A	Handwheel Kit	1	84B	E580003A	Over Arm Kit (1050mm)	1	124A	124A	Base Kit	1
79A-1	U010082	Handwheel	1	85A	85A	Column Cape Kit	1	124A-1	A200301	Column Base	1
79A-2.	N810636	Lock Pin (6x36L)	1	85A-1	C020314A	Column Cape	1	124A-2	S601275	Hex Screw (M12-1.75Px75L)	1
80A	80A	Pinion Kit	1	85A-2.	G000005	Set Screw (M8-1.25Px12L)	3	124A-3	N050012	Lock Washer (M12)	1
80A-1	G020001	Pinion	1	87A	U010011	Handle-Grip	1	124A-4	N011225	Flat Washer (M12x25D)	1
80A-2	G000007	Set Screw (M8-1.25Px25L)	1	92A	92A	Over Arm Cone Kit	1	124A-5	G020010A	Handle(200mmL)	1
80A-3	N030008	Spring Washer (8.3x1.8t)	1	92A-1	A200303	Over Arm Cone	1	124A-6	S601250	Hex Screw (M12-1.75Px50L)	4
80A-4.	N11008R	Nut (M8-1.25P)	1	92A-2	G020005	Stud (M16-1.5P)	1	124A-7.	N030012	Spring Washer (M12)	4
82A	82A	Swivel Cone Kit	1	92A-3	G020007A	Handle	1	128A	128A	Elevating Bracket Kit	1
82A-1	A200304	Swivel Cone	1	92A-4	N810622	Lock Pin (6x22L)	1	128A-1	A200302	Elevating Bracket	1
82A-2	G020005	Stud (M16-1.5P)	1	92A-5	N030010	Spring Washer (M10)	2	128A-2	S601275	Hex Screw (M12-1.75Px75L)	2
82A-3	G020007A	Handle	1	92A-6	S601050	Hex Screw (M10-1.5Px50L)	2	128A-3	N050012	Lock Washer (M12)	2
82A-4.	N810622	Lock Pin (6x22L)	1	92A-7.	U010119	Cord Sheath	1	128A-4	N011225	Flat Washer (M12x25D)	2
83H	83H	Handle Kit	1	99A	99A	Motor Clamp kit	1	128A-5.	G020006A	Handle	2
83H-1	U010139A	Handle w/ Bushing	1	99A-1	A200305	Motor Clamp	1				