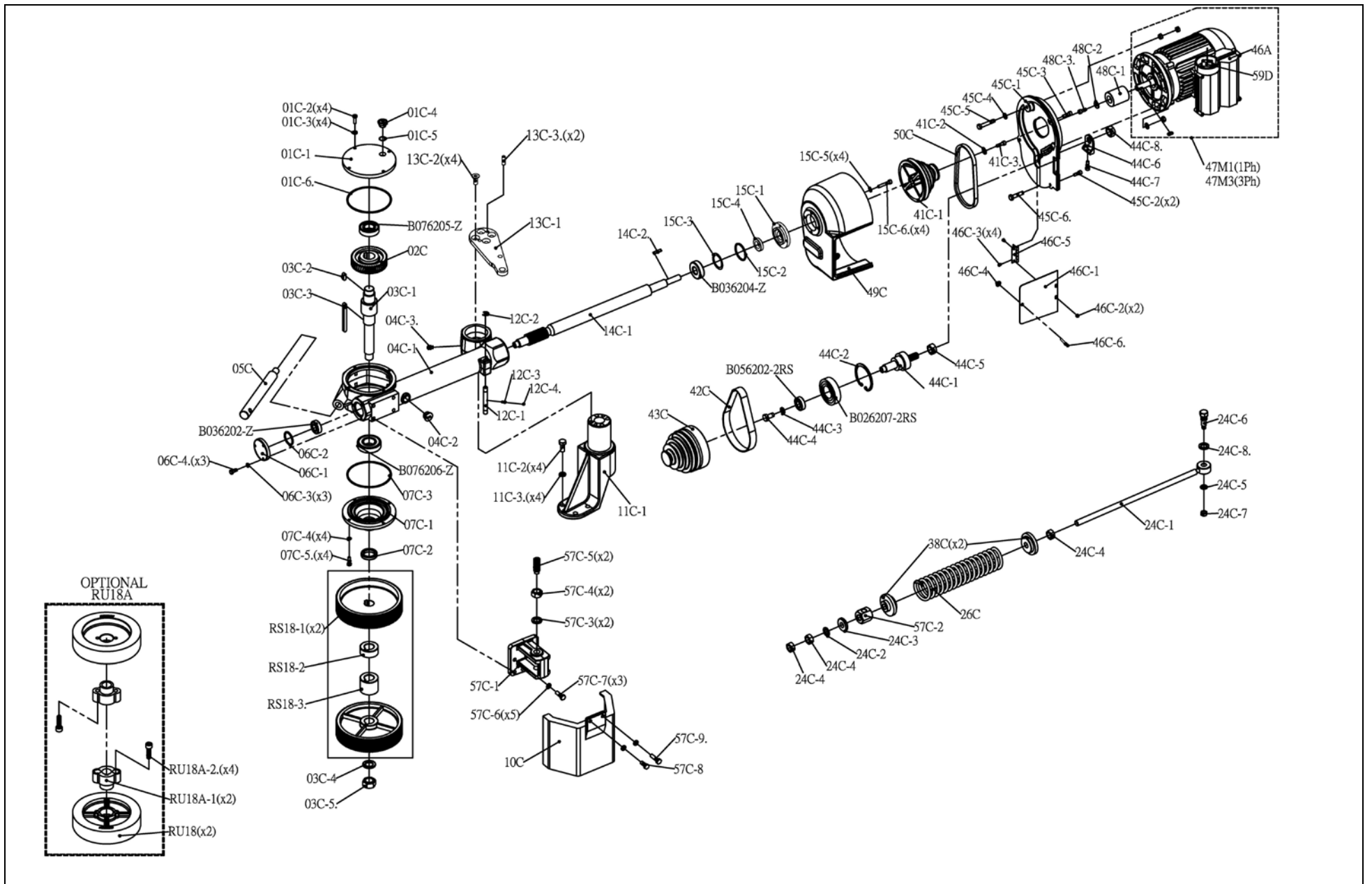
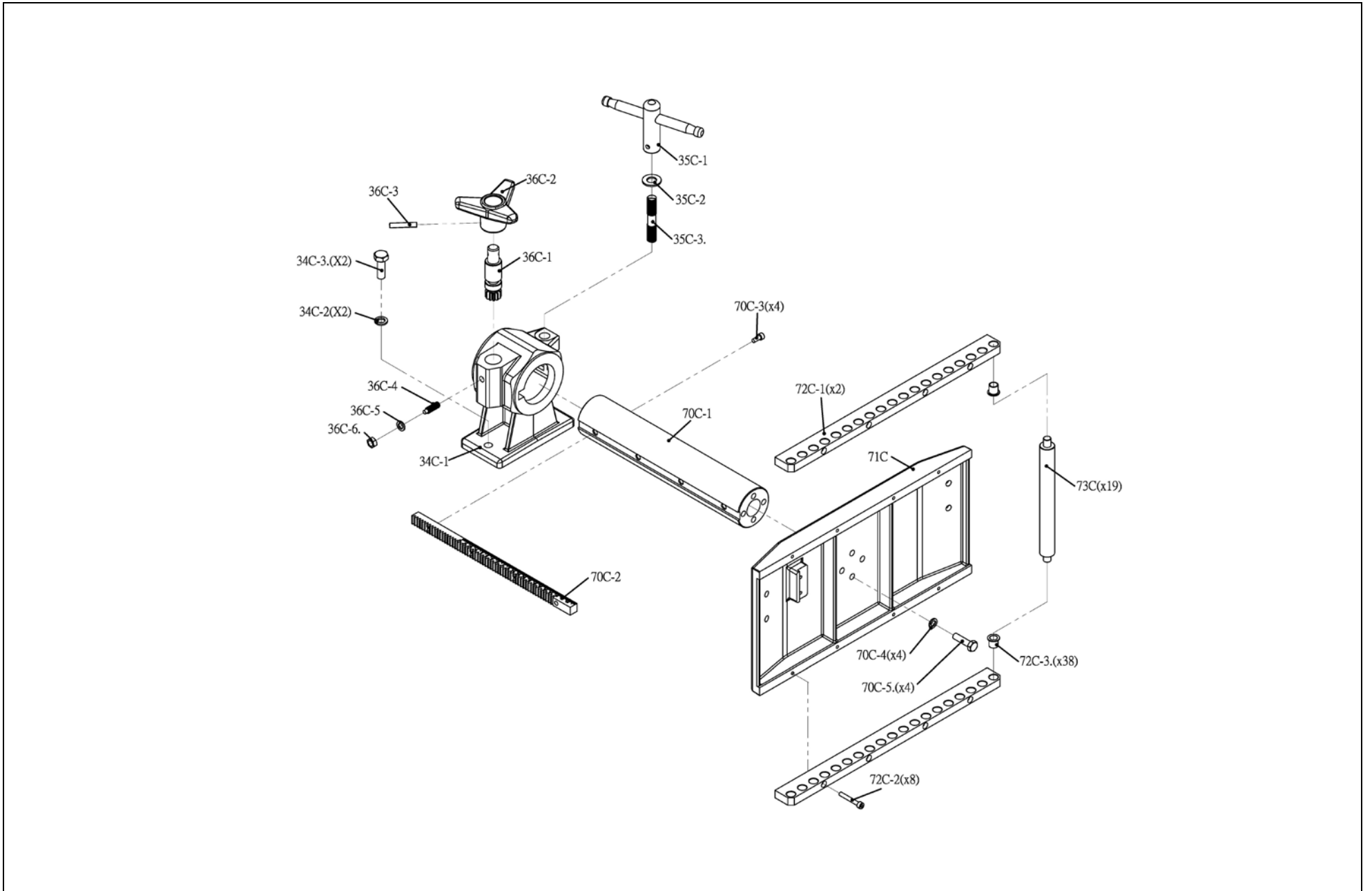


MODEL: AF19 HOUSING ASSEMBLY



Part No.	Code No.	Description	Q'ty	Part No.	Code No.	Description	Q'ty	Part No.	Code No.	Description	Q'ty
B026207-2RS	B026207-2RS	Bearing(#6207-2RS)	1	12C-2	N530009	"E" Clip (E9)	1	45C	45C	Pulley Housing Cover Kit	1
B036202-Z	B036202-Z	Bearing(#6202)	1	12C-3	N930004	Comp. Spring (φ4.5xφ3.3)	1	45C-1	A200364	Pulley Housing Cover	1
B036204-Z	B036204-Z	Bearing(#6204)	1	12C-4	R090005	Steel Ball (5mm)	1	45C-2	S900616	Cap Screw (M6-1.0Px16L)	2
B056202-2RS	B056202-2RS	Bearing(#BD/6202-2RS)	1	13C	13C	Swivel Rack Kit	1	45C-3	S900620	Cap Screw (M6-1.0Px20L)	1
B076205-Z	B076205-Z	Bearing(#6205)	1	13C-1	G120003	Swivel Rack	1	45C-4	N015822	Flat Washer (5/16"x22x1.5)	1
B076206-Z	B076206-Z	Bearing(#6206)	1	13C-2	S201025	Cap Screw (M10-1.5x25L)	4	45C-5	S600845	Hex Screw (M8-1.25Px45L)	1
01C	01C	Gearbox Cover Kit	1	13C-3	N810825	Lock Pin (8x25L)	2	45C-6	S600835	Hex Screw (M8-1.25Px35L)	1
01C-1	A200501	Gearbox Cover	1	14C	14C	Input Shaft Kit	1	46A	46A	Switch Box	1
01C-2	S600620	Hex Screw (M6-1.0Px20L)	4	14C-1	G320062	Input Shaft	1	46C	46C	Pulley-Housing Door Kit	1
01C-3	N030006	Spring Washer (M6)	4	14C-2	K420525	Key (5x5x25L)	1	46C-1	G110027	Pulley-Housing Door	1
01C-4	U010008	Oil Cap (16mm)	1	15C	15C	Gearbox Rear Cover Kit	1	46C-2	N13004R	Hex Nut (M4-0.7P)	2
01C-5	O010012	"O" Ring (P12)	1	15C-1	G020062	Gearbox Rear Cover	1	46C-3	S500406	PH. Screw (M4-0.7Px6L)	4
01C-6	O010110	"O" Ring (G110)	1	15C-2	O010045	"O" Ring (G45)	1	46C-4	N070005	Disc Washer (5x14)	1
02C	C120007	Wormgear (45T)	1	15C-3	N086204	Compensating Collar	1	46C-5	T403001	Hinge	1
03C	03C	Wormgear Shaft Kit	1	15C-4	O023501	Oil Seal (20x35x7)	1	46C-6	U010013	Knob (M5-0.8Px12L)	1
03C-1	G320064	Wormgear Shaft	1	15C-5	N030006	Spring Washer (M6)	4	47M1	47M1	Motor w/ Switch 1/2HP.1	1
03C-2	K420820	Key (8x7x20L)	1	15C-6	S900635	Cap Screw (M6-1.0Px35L)	4	47M3	47M3	Motor w/ Switch 1/2HP.3	1
03C-3	K420890	Key (8x7x90L)	1	24C	24C	Spring-Adjust Rod Kit	1	48C	48C	Motor Pulley Kit	1
03C-4	N012045	Flat Washer (M20x45x3.5)	1	24C-1	G020002	Spring-Adjust Rod	1	48C-1	G320082	Motor Pulley	1
03C-5	N11020R	Nut (M20-2.5P)	1	24C-2	N011430	Flat Washer (M14x30x2)	1	48C-2	N015707	Flat Washer (19x6.5x1.5)	1
04C	04C	Gearbox Kit	1	24C-3	U210001	Bumper Ring	1	48C-3	S900616	Cap Screw (M6-1.0Px16L)	1
04C-1	A200502	Gearbox	1	24C-4	N11014R	Nut (M14-2.0P)	3	49C	A200365	Pulley Housing Bracket	1
04C-2	T343319	Oil Level Indicator	1	24C-5	N015925	Flat Washer (3/8"x25x10)	1	50C	K21M019	V-Belt (M19)	1
04C-3	T315106	Grease Nipple (M6-1.0Px1.0)	1	24C-6	G320098	Supporting Locker	1	57C	57C	Tension Supporter Kit	1
05C	G320032	Opening Handle	1	24C-7	N11010R	Nut (M10-1.5P)	1	57C-1	A200511	Tension Supporter	1
06C	06C	Gearbox Front Cap Kit	1	24C-8	N030016	Spring Washer (M16)	1	57C-2	G080005	Hex-Pivot (40x32)	1
06C-1	G020004	Gearbox Front Cap	1	26C	N930012	Comp. Spring (φ60)	1	57C-3	N030016	Spring Washer (M16)	2
06C-2	O010035	"O" Ring (G35)	1	38C	G020003	Spring Guide	2	57C-4	N11016R	Nut (M16-2.0P)	2
06C-3	N030006	Spring Washer (M6)	3	41C	41C	Input Pulley Kit	1	57C-5	G000009	Set Screw (M16-2.0Px45L)	2
06C-4	S600616	Hex Screw (M6-1.0Px16L)	3	41C-1	C010048	Input Pulley	1	57C-6	N030008	Spring Washer (8.3x1.8)	5
07C	07C	Gearbox Bottom Cover Kit	1	41C-2	N015707	Flat Washer (19x6.5x1.5)	1	57C-7	S600825	Hex Screw (M8-1.25Px25L)	3
07C-1	A200504	Gearbox Bottom Cover	1	41C-3	S900616	Cap Screw (M6-1.0Px16L)	1	57C-8	S600820	Hex Screw (M8-1.25Px20L)	1
07C-2	O023001	Oil Seal (30x42x8)	1	42C	K220001	Flat Belt (G22-20-477)	1	57C-9	S600830	Hex Screw (M8-1.25Px30L)	1
07C-3	O010110	"O" Ring (G110)	1	43C	C010049	Idle Pulley	1	59D	59D	Switch Kit	1
07C-4	N030006	Spring Washer (M6)	4	44C	44C	Idle Pulley Axle Kit	1	RS18	RS18	SERRATED ROLLER, φ175x40x2	1
07C-5	S600620	Hex Screw (M6-1.0Px20L)	4	44C-1	G320083	Idle Pulley Axle	1	RS18-1	A470014	Serrated Roller, φ175x40x1	2
10C	C010501	Roller Cover	1	44C-2	N520072	"C" Clip (72)	1	RS18-2	G020023	Roller Spacer (φ48x20)	1
11C	11C	Base Kit	1	44C-3	N015925	Flat Washer (3/8"x25x10)	1	RS18-3	G020046	Roller Spacer (φ48x40)	1
11C-1	A470027	Base	1	44C-4	S601020	Hex Screw (M10-1.5Px20L)	1	RU18A	RU18A	PU ROLLER, φ180x40x2PC/SET	1
11C-2	S601030	Hex Screw (M10-1.5Px30L)	4	44C-5	N11016T	Nut (M16-2.0Px8)	1	RU18A-1	A200341	Roller Adopter	2
11C-3	N030010	Spring Washer (M10)	4	44C-6	G110033	Idle Pulley Set-up	1	RU18A-2	S901035	Cap Screw (M10-1.5Px35L)	4
12C	12C	Opening-Stop Pin Kit	1	44C-7	S900620	Cap Screw (M6-1.0Px20L)	1	RU18	C010395	PU Roller, φ180x40x1	2
12C-1	G320131	Opening-Stop Pin	1	44C-8	N11016R	Nut (M16-2.0P)	1				

MODEL: BF41 ROLER FENCE



Part No.	Code No.	Description	Q'ty	Part No.	Code No.	Description	Q'ty
34C	34C	Fence Bracket Kit	1	36C-6.	N11008R	Nut (M8-1.25P)	1
34C-1	A200508	Fence Bracket	1	70C	70C	Extension Column Kit (300L)	1
34C-2	N030010	Spring Washer (8.3x1.8t)	2	70C-1	A200360	Extension Column (φ58x300L)	1
34C-3.	S601030	Hex Screw (M10-1.5Px30L)	2	70C-2	G340009	Scale Rack (296L)	1
35C	35C	Set-Lever Kit	1	70C-3	S900612	Cap Screw (M6-1.0Px12L)	4
35C-1	G020006A	Handle	1	70C-4	N030008	Spring Washer (8.3x1.8t)	4
35C-2	N011225	Flat Washer (M12x25D)	1	70C-5.	S600830	Hex Screw (M8-1.25Px30L)	4
35C-3.	G320102	Stud (M12-1.75Px70L)	1	71C	A200515	Fence Bracket	1
36C	36C	Extension Handle Kit	1	72C	72C	Fence-Roller Supporter Kit	2
36C-1	G020001	Pinion	1	72C-1	C050004	Fence-Roller Supporter	1
36C-2	C010506	Extension Handle	1	72C-2	S900535	Cap Screw (M5-0.8Px35L)	4
36C-3	N810636	Lock Pin (6x36L)	1	72C-3.	A500006	Bushing	19
36C-4	G000007	Set Screw (M8-1.25Px25L)	1	73C	G320063	Fence-Roller Kit	19
36C-5	N030008	Spring Washer (8.3x1.8t)	1				