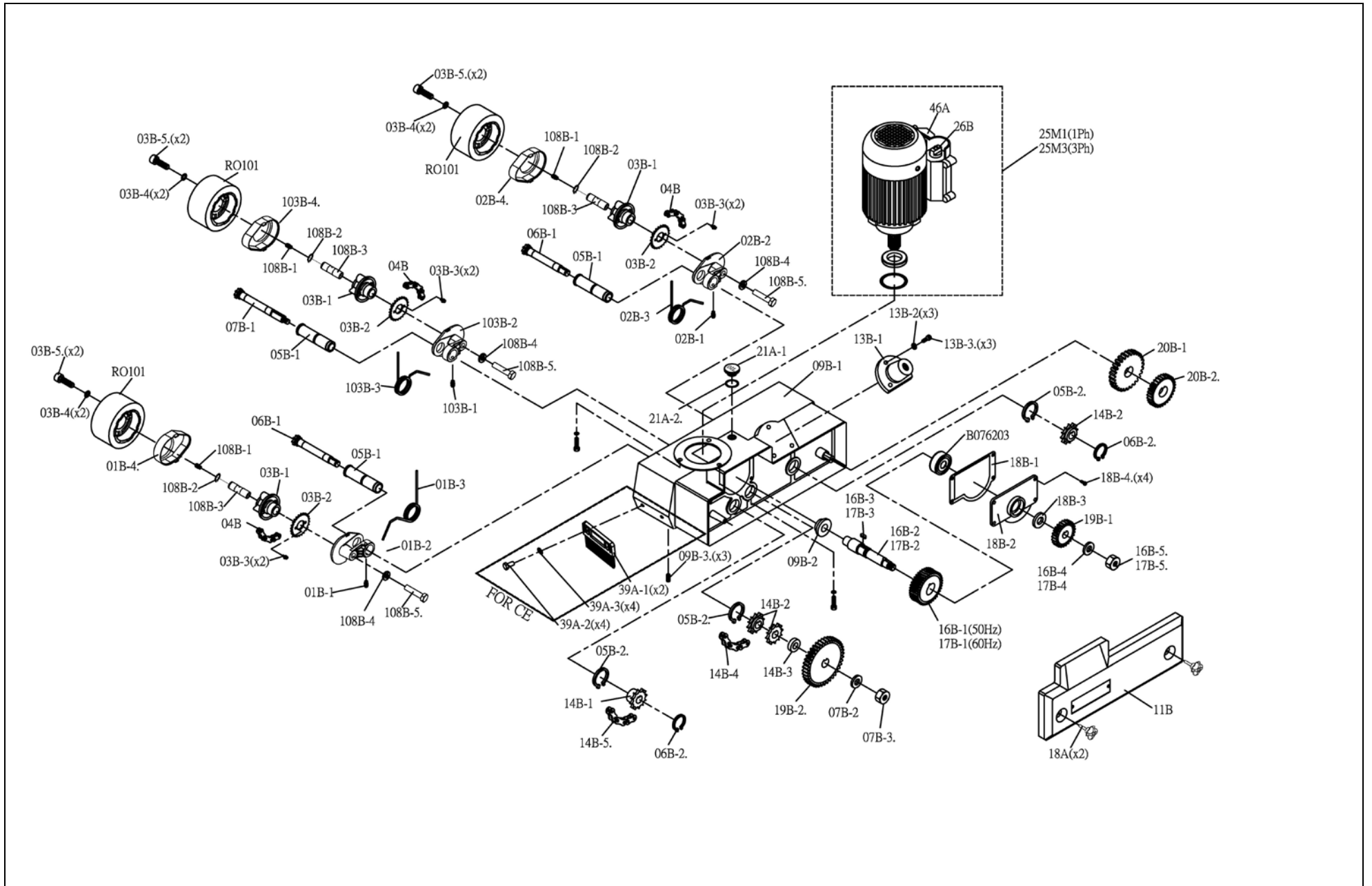
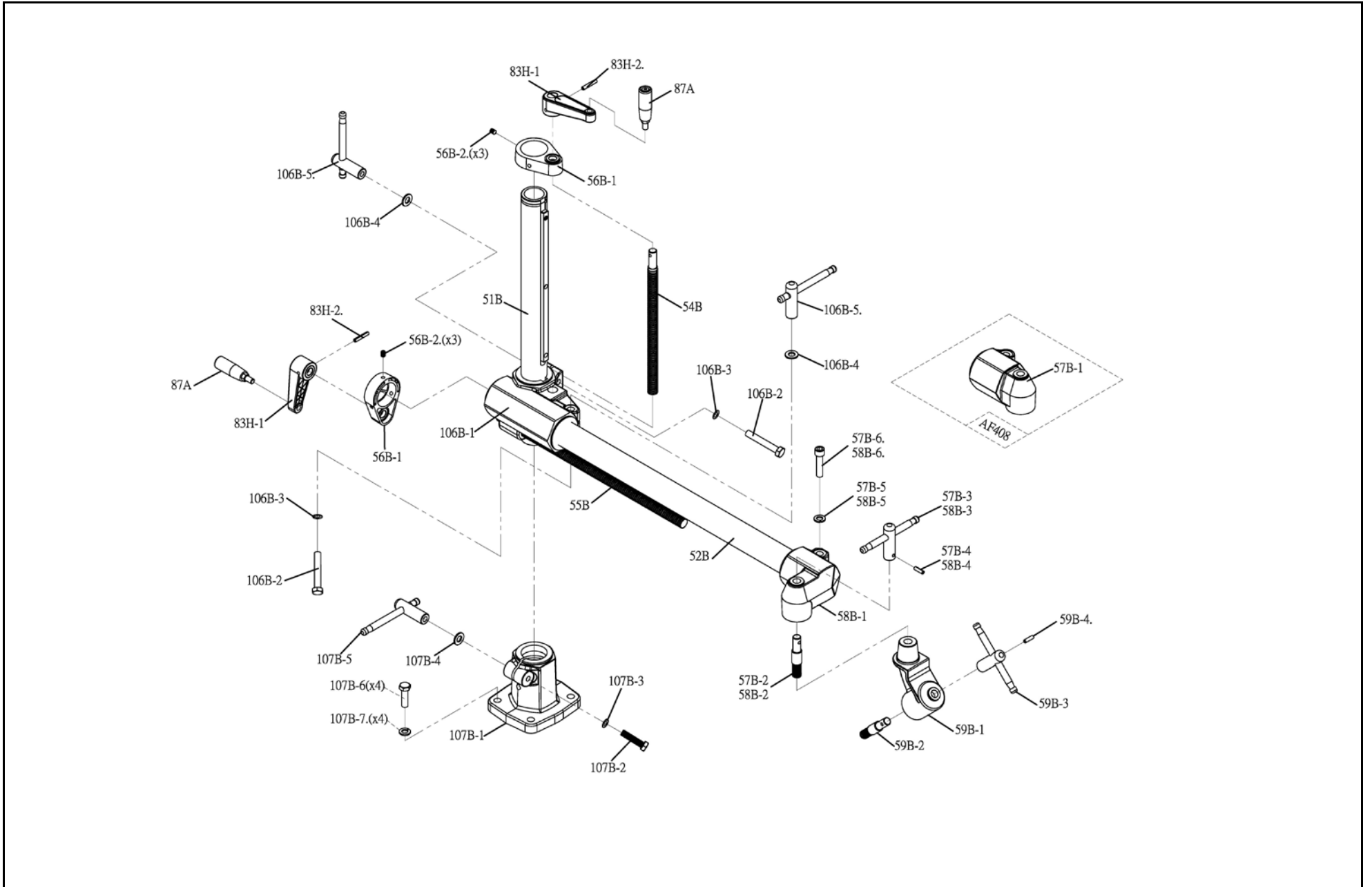


MODEL: AF308 HOUSING ASSEMBLY



Part No.	Code No.	Description	Q'ty	Part No.	Code No.	Description	Q'ty	Part No.	Code No.	Description	Q'ty
B076203	B076203	Bearing(#6203)	1	09B-2	A500301	Bushing (29Dx23Dx(9+3))	1	18B-4.	S060616	Cap Screw (M6-1.0Px16L)	4
01B	01B	Sprocket Case Kit (M.Lt)	1	09B-3.	S100610	Set Screw (M6-1.0Px10L)	3	19B	19B	Gear Kit (20T/40T)	1
01B-1	T315106	Grease Nipple (M6-1.0Px1.0)	1	11B	U010027	Housing Cover (308)	1	19B-1	A500316	Gear (20T)	1
01B-2	C020009	Sprocket Case	1	13B	13B	Taper Cone Kit (308)	1	19B-2.	A500313	Gear (40T)	1
01B-3	N950002	Spring (φ 37x10.5)	1	13B-1	A200319	Taper Cone	1	20B	20B	Gear Kit (26T/34T)	1
01B-4.	U010065	Case Cover	1	13B-2	N030008	Spring Washer (8.3x1.8t)	3	20B-1	A500314	Gear (34T)	1
02B	02B	Sprocket Case Kit (M.Rt)	1	13B-3.	S900825	Cap Screw (M8-1.25Px25L)	3	20B-2.	A500315	Gear (26T)	1
02B-1	T315106	Grease Nipple (M6-1.0Px1.0)	1	14B	14B	Transmission Kit (308)	1	21A	21A	Oil-Cap Kit (M16)	1
02B-2	C020009	Sprocket Case	1	14B-1	A500303	Sprocket (12Tx3/8")	1	21A-1	U010008	Oil Cap (16mm)	1
02B-3	N950002	Spring (φ 37x10.5)	1	14B-2	A500307	Double-Sprocket (12T)	3	21A-2.	Q010012	"O" Ring (P12)	1
02B-4.	U010065	Case Cover	1	14B-3	A500308	Bushing	1	25M1	25M1	Motor w/ Switch 1/2HP.1PH	1
03B	03B	Roller Base Kit	3	14B-4	K330036	Chain (36S)	1	25M3	25M3	Motor w/ Switch 1/2HP.3PH	1
03B-1	A200320	Roller Supporter	1	14B-5.	K330022	Chain (22S)	1	26B	26B	Switch Kit	1
03B-2	A500312	Sprocket (17T)	1	16B	16B	Wormgear Shaft Kit 50Hz	1	39A	39A	Brush Kit	2
03B-3	S070516	Cap Screw (M5-0.8Px16L)	2	16B-1	C120010	Worm Gear (39T, 50Hz)	1	39A-1	U010088	Brush	1
03B-4	N050058	Lock Washer (5/16"x1.4t)	2	16B-2	G320009	Wormgear Shaft	1	39A-2	S600612	Hex Screw (M6-1.0Px12)	2
03B-5.	S900825	Cap Screw (M8-1.25Px25L)	2	16B-3	K420612	Key (6x6x12L)	1	39A-3.	N050057	Lock Washer (1/4"x1.4t)	2
04B	K330022	Chain (22S)	3	16B-4	N011225	Flat Washer (M12x25D)	1	46A	46A	Switch Box	1
05B	05B	Tube Kit	3	16B-5.	N11012H	Nut (M12-1.75P)	1	103B	103B	Sprocket Case (308.Rt)	1
05B-1	E270002	Tube (φ 27x φ 19x81L)	1	17B	17B	Wormgear Shaft Kit 60Hz	1	103B-1	T315106	Grease Nipple (M6-1.0Px1.0)	1
05B-2	N510026	Snap Ring (26)	1	17B-1	C120004	Worm Gear (45T, 60Hz)	1	103B-2	C020059	Sprocket Case	1
06B	06B	Sprocket Shaft Kit	2	17B-2	G320009	Wormgear Shaft	1	103B-3	N950002	Spring (φ 37x10.5)	1
06B-1	G320006	Sprocket Shaft	1	17B-3	K420612	Key (6x6x12L)	1	103B-4.	U010065	Case Cover	1
06B-2.	N510015	Snap Ring (15)	1	17B-4	N011225	Flat Washer (M12x25D)	1	108B	108B	Roller Spindle Kit	3
07B	07B	Main Sprocket Shaft Kit	1	17B-5.	N11012H	Nut (M12-1.75P)	1	108B-1	T315106	Grease Nipple (M6-1.0Px1.0)	1
07B-1	G320007	Main Sprocket Shaft	1	18A	U010051	Knob (M6-1.0Px30L)	2	108B-2	N510017	Snap Ring (17)	1
07B-2	N011225	Flat Washer (M12x25D)	1	18B	18B	Wormgear Cover Kit (308)	1	108B-3	G320221	Roller Spindle	1
07B-3.	N11012H	Nut (M12-1.75P)	1	18B-1	U210005	Oil Seal	1	108B-4	N030012	Spring Washer (M12)	1
09B	09B	Housing Frame Kit (308)	1	18B-2	C020308	Wormgear Cover	1	108B-5.	S601250	Hex Screw (M12-1.75Px50L)	1
09B-1	C020311	Housing Frame (308)	1	18B-3	Q021701	Oil Seal (17x32x7t)	1	RO101	C020304	Roller (φ 100x50x1)	3

MODEL: US02 LIGHT-HEAVY DUTY UNIVERSAL STAND



Part No.	Code No.	Description	Q'ty	Part No.	Code No.	Description	Q'ty	Part No.	Code No.	Description	Q'ty
51B	E500001A	Vertical Column Kit	1	58B-1	A200317	Overarm Cone	1	106B	106B	Elevating Bracket Kit	1
52B	E500002A	Overarm Kit	1	58B-2	G020005	Stud (M16-1.5P)	1	106B-1	A200316	Elevating Bracket	1
54B	G320093	Elevating Screw (T19-4Px330L)	1	58B-3	G020007A	Handle	1	106B-2	S601270	Hex Screw (M12-1.75Px70L)	2
55B	G320094	Extension Screw (T19-P4x500L)	1	58B-4	N810622	Lock Pin (6x22L)	1	106B-3	N050012	Lock Washer (M12)	2
56B	56B	Column Cap Kit	2	58B-5	N030012	Spring Washer (M12)	1	106B-4	N011225	Flat Washer (M12x25D)	2
56B-1	C020305A	Column Cap	1	58B-6	S901250	Cap Screw (M12-1.75Px50L)	1	106B-5	G020006A	Handle	2
56B-2	G000005	Set Screw (M8-1.25Px12L)	3	59B	59B	Swivel Cone Kit	1	107B	107B	Base Kit	1
57B	57B	Overarm Cone Kit (408)	1	59B-1	A200318	Swivel Cone	1	107B-1	A200315	Column Base	1
57B-1	A200322	Overarm Cone (408)	1	59B-2	G020005	Stud (M16-1.5P)	1	107B-2	S601270	Hex Screw (M12-1.75Px70L)	1
57B-2	G020005	Stud (M16-1.5P)	1	59B-3	G020007A	Handle	1	107B-3	N050012	Lock Washer (M12)	1
57B-3	G020007A	Handle	1	59B-4	N810622	Lock Pin (6x22L)	1	107B-4	N011225	Flat Washer (M12x25D)	1
57B-4	N810622	Lock Pin (6x22L)	1	83H	83H	Handle Kit	2	107B-5	G020006A	Handle	1
57B-5	N030012	Spring Washer (M12)	1	83H-1	U010139A	Handle w/ Bushing	1	107B-6	S601250	Hex Screw (M12-1.75Px50L)	4
57B-6	S901250	Cap Screw (M12-1.75Px50L)	1	83H-2	N810636	Lock Pin (6x36L)	1	107B-7	N030012	Spring Washer (M12)	4
58B	58B	Overarm Cone Kit (308)	1	87A	U010011	Handle-Grip (M10-P1.5x70L)	2				