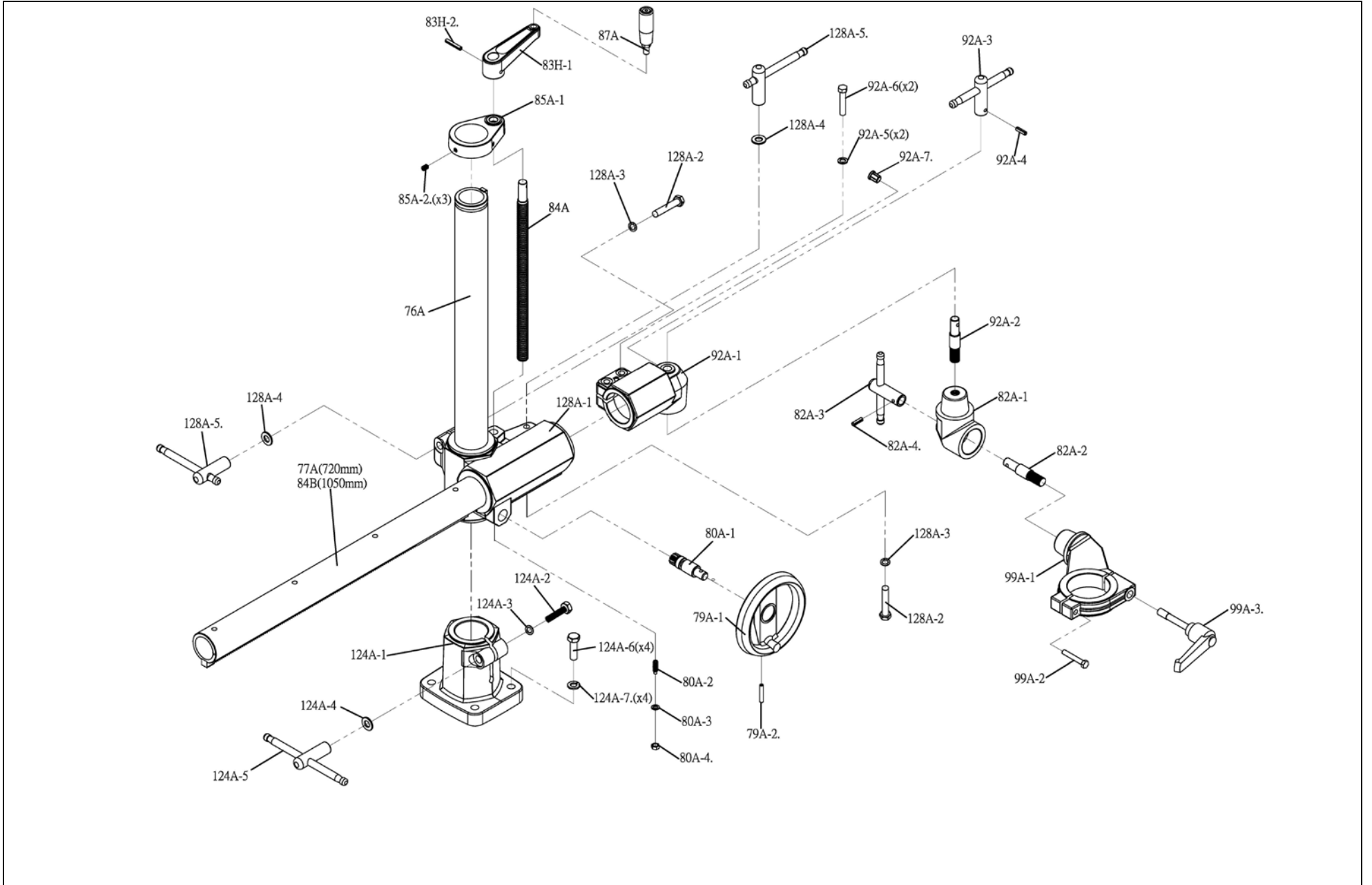


MODEL: US03 HEAVY-DUTY UNIVERSAL STAND



Part No.	Code No.	Description	Q'ty	Part No.	Code No.	Description	Q'ty	Part No.	Code No.	Description	Q'ty
76A	E580001A	Vertical Column Kit (560L)	1	83H-2.	N810636	Lock Pin (6x36L)	1	99A-2	S600850	Hex Screw (M8-1.25Px50L)	1
77A	E580002A	Over Arm (720mm)	1	84A	G320090	Elevating Screw	1	99A-3.	T060003	Pull Handle (M12-1.75Px77L)	1
79A	79A	Handwheel Kit	1	84B	E580003A	Over Arm Kit (1050mm)	1	124A	124A	Base Kit	1
79A-1	U010082	Handwheel	1	85A	85A	Column Cape Kit	1	124A-1	A200301	Column Base	1
79A-2.	N810636	Lock Pin (6x36L)	1	85A-1	C020314A	Column Cape	1	124A-2	S601275	Hex Screw (M12-1.75Px75L)	1
80A	80A	Pinion Kit	1	85A-2.	G000005	Set Screw (M8-1.25Px12L)	3	124A-3	N050012	Lock Washer (M12)	1
80A-1	G020001	Pinion	1	87A	U010011	Handle-Grip	1	124A-4	N011225	Flat Washer (M12x25D)	1
80A-2	G000007	Set Screw (M8-1.25Px25L)	1	92A	92A	Over Arm Cone Kit	1	124A-5	G020010A	Handle(200mmL)	1
80A-3	N030008	Spring Washer (8.3x1.8t)	1	92A-1	A200303	Over Arm Cone	1	124A-6	S601250	Hex Screw (M12-1.75Px50L)	4
80A-4.	N11008R	Nut (M8-1.25P)	1	92A-2	G020005	Stud (M16-1.5P)	1	124A-7.	N030012	Spring Washer (M12)	4
82A	82A	Swivel Cone Kit	1	92A-3	G020007A	Handle	1	128A	128A	Elevating Bracket Kit	1
82A-1	A200304	Swivel Cone	1	92A-4	N810622	Lock Pin (6x22L)	1	128A-1	A200302	Elevating Bracket	1
82A-2	G020005	Stud (M16-1.5P)	1	92A-5	N030010	Spring Washer (M10)	2	128A-2	S601275	Hex Screw (M12-1.75Px75L)	2
82A-3	G020007A	Handle	1	92A-6	S601050	Hex Screw (M10-1.5Px50L)	2	128A-3	N050012	Lock Washer (M12)	2
82A-4.	N810622	Lock Pin (6x22L)	1	92A-7.	U010119	Cord Sheath	1	128A-4	N011225	Flat Washer (M12x25D)	2
83H	83H	Handle Kit	1	99A	99A	Motor Clamp kit	1	128A-5.	G020006A	Handle	2
83H-1	U010139A	Handle w/ Bushing	1	99A-1	A200305	Motor Clamp	1				