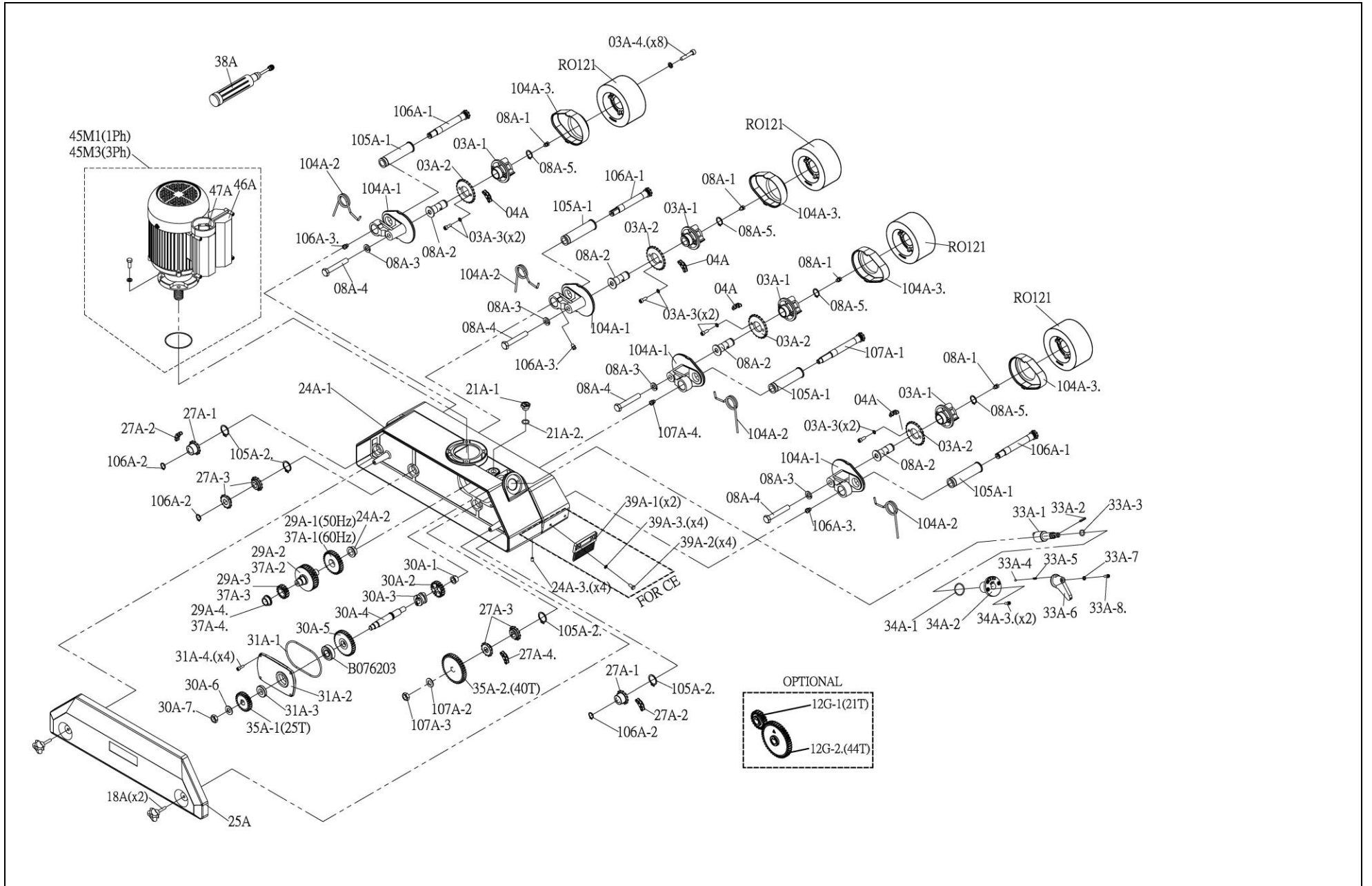
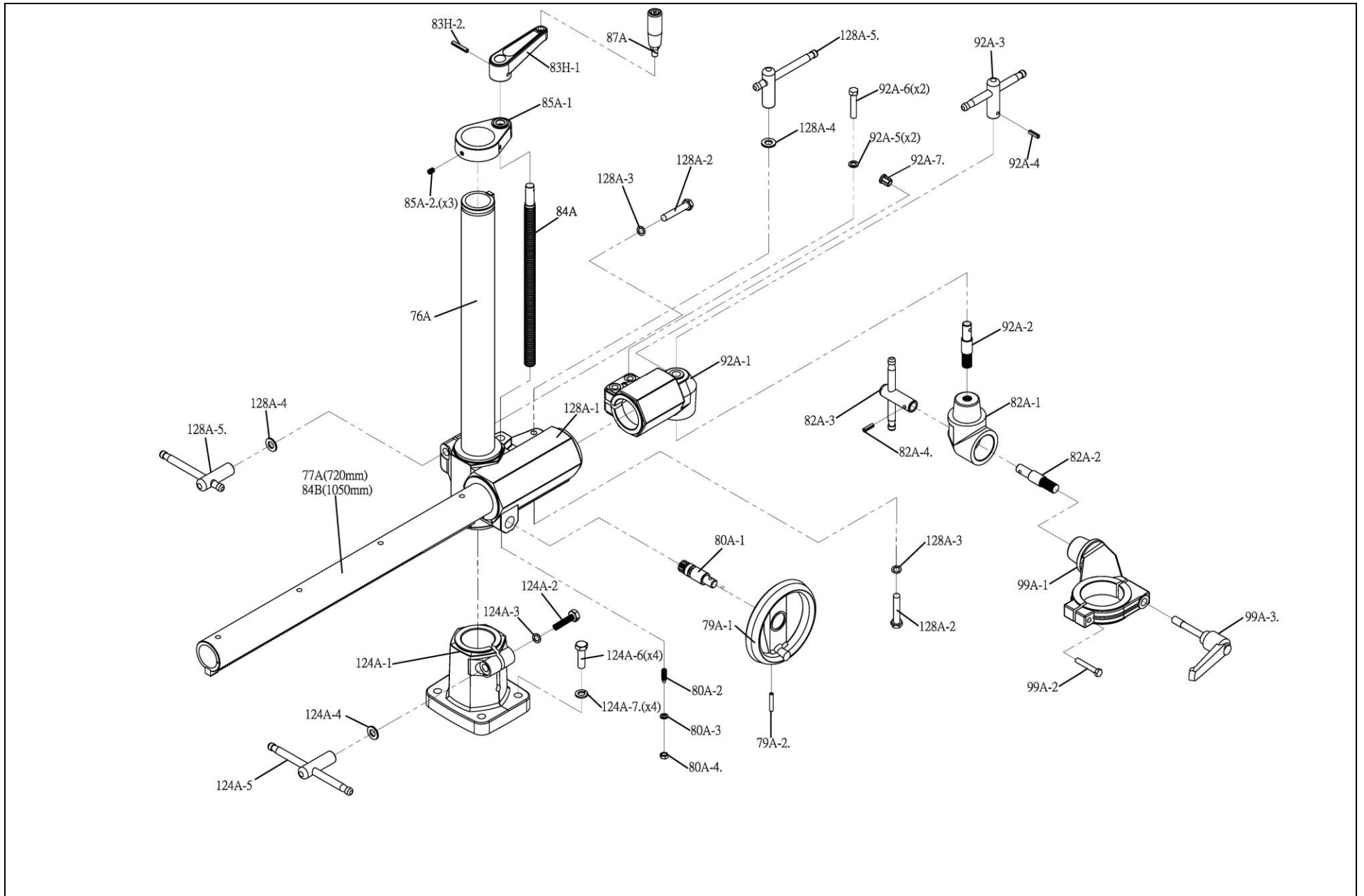


## MODEL: AF48 HOUSING ASSEMBLY



| Part No. | Code No.  | Description                 | Q'ty | Part No. | Code No. | Description                 | Q'ty | Part No. | Code No.  | Description                  | Q'ty |
|----------|-----------|-----------------------------|------|----------|----------|-----------------------------|------|----------|-----------|------------------------------|------|
| B076203  | B076203   | Bearing(#6203)              | 1    | 29A-2    | A460002  | Worm Gear (30T, 50Hz)       | 1    | 37A      | 37A       | Worm Gear Kit 60Hz           | 1    |
| 03A      | 03A       | Roller Supporter Kit        | 4    | 29A-3    | A500330  | Gear (17T)                  | 1    | 37A-1    | A500329   | Gear (31T)                   | 1    |
| 03A-1    | C020333A  | Roller Supporter            | 1    | 29A-4.   | A500301  | Bushing (29Dx23Dx(9+3))     | 1    | 37A-2    | A460001   | Worm Gear (38T, 60Hz)        | 1    |
| 03A-2    | A500309   | Sprocket                    | 1    | 30A      | 30A      | Transmission Shaft Kit, 8S  | 1    | 37A-3    | A500330   | Gear (17T)                   | 1    |
| 03A-3    | S060616   | Cap Screw (M6-1.0Px16L)     | 2    | 30A-1    | A500305  | Bushing (20Dx17Dx(10+2))    | 1    | 37A-4.   | A500301   | Bushing (29Dx23Dx(9+3))      | 1    |
| 03A-4.   | S060840   | Cap Screw (M8-1.25Px40L)    | 2    | 30A-2    | A500320  | Gear (20T)                  | 1    | 38A      | T344001   | Grease Gun                   | 1    |
| 04A      | K330026   | Chain (26S)                 | 4    | 30A-3    | A500318  | Clutch                      | 1    | 39A      | 39A       | Brush Kit                    | 2    |
| 08A      | 08A       | Roller Spindle Kit          | 4    | 30A-4    | G320069  | Transmission Shaft          | 1    | 39A-1    | U010088   | Brush                        | 1    |
| 08A-1    | T315106   | Grease Nipple (M6-1.0Px1.0) | 1    | 30A-5    | A500319  | Gear (34T)                  | 1    | 39A-2    | S600612   | Hex Screw (M6-1.0Px12)       | 2    |
| 08A-2    | G320028   | Roller Spindle              | 1    | 30A-6    | N011225  | Flat Washer (M12x25D)       | 1    | 39A-3.   | N050057   | Lock Washer (1/4"x1.4t)      | 2    |
| 08A-3    | N030012   | Spring Washer (M12)         | 1    | 30A-7.   | N11012H  | Nut (M12-1.75P)             | 1    | 45M1     | 45M1      | Motor w/ Switch 1HP.1        | 1    |
| 08A-4    | S601275   | Hex Screw (M12-1.75Px75L)   | 1    | 31A      | 31A      | Wormgear Box Cover Kit      | 1    | 45M3     | 45M3      | Motor w/ Switch 1HP.3        | 1    |
| 08A-5.   | N510020   | Snap Ring (20)              | 1    | 31A-1    | Q010102  | "O" Ring (G102)             | 1    | 46A      | 46A       | Switch Box                   | 1    |
| 12G      | 12G       | GEAR SET (21T/44T)          | 1    | 31A-2    | C020345  | Wormgear Box Cover          | 1    | 47A      | 47A       | Switch Kit                   | 1    |
| 12G-1    | A500344   | Gear (21T)                  | 1    | 31A-3    | Q021701  | Oil Seal (17x32x7t)         | 1    | 104A     | 104A      | Sprocket Case Kit            | 4    |
| 12G-2.   | A500345   | Gear (44T)                  | 1    | 31A-4.   | S070516  | Cap Screw (M5-0.8Px16L)     | 4    | 104A-1   | C020332-1 | Sprocket Case                | 1    |
| 18A      | U010051   | Knob (M6-1.0Px30L)          | 2    | 33A      | 33A      | Speed Lever Kit (8S)        | 1    | 104A-2   | N950001   | Spring (φ 38x11.4)           | 1    |
| 21A      | 21A       | Oil-Cap Kit (M16)           | 1    | 33A-1    | G320015  | Gear Lever                  | 1    | 104A-3.  | U010052   | Case Cap                     | 1    |
| 21A-1    | U010008   | Lil Cap (16mm)              | 1    | 33A-2    | N810420  | Lock Pin (4x20L)            | 1    | 105A     | 105A      | Tube Kit                     | 4    |
| 21A-2.   | Q010012   | "O" Ring (P12)              | 1    | 33A-3    | Q010012  | "O" Ring (P12)              | 1    | 105A-1   | E270006   | Tube                         | 1    |
| 24A      | 24A       | Housing Frame Kit (4R)      | 1    | 33A-4    | R090005  | Steel Ball (5mm)            | 1    | 105A-2.  | N510026   | Snap Ring (26)               | 1    |
| 24A-1    | C020018   | Housing Frame, 4R           | 1    | 33A-5    | N930004  | Comp. Spring (φ 4.5x φ 3.3) | 1    | 106A     | 106A      | Sprocket Shaft Kit           | 3    |
| 24A-2    | A500301   | Bushing (29Dx23Dx(9+3))     | 1    | 33A-6    | U010040  | Speed Lever                 | 1    | 106A-1   | G320132   | Sprocket Shaft               | 1    |
| 24A-3.   | S100610   | Set Screw (M6-1.0Px10L)     | 4    | 33A-7    | N050005  | Lock Washer (5D)            | 1    | 106A-2   | N510015   | Snap Ring (15)               | 1    |
| 25A      | U010036-1 | Housing Cover (4R)          | 1    | 33A-8.   | S900512  | Cap Screw (M5-0.8Px12L)     | 1    | 106A-3.  | T315106   | Grease Nipple (M6-1.0Px1.0)  | 1    |
| 27A      | 27A       | Transmission Kit (4R)       | 1    | 34A      | 34A      | Speed Lever Sleeve Kit, 8S  | 1    | 107A     | 107A      | Main Sprocket Shaft Kit      | 1    |
| 27A-1    | A500303   | Sprocket (12Tx3/8")         | 2    | 34A-1    | Q010028  | "O" Ring (S28)              | 1    | 107A-1   | G320133   | Main Sprocket Shaft          | 1    |
| 27A-2    | K330040   | Chain (40S)                 | 2    | 34A-2    | C020085  | Speed Lever Sleeve          | 1    | 107A-2   | N011225   | Flat Washer (M12x25D)        | 1    |
| 27A-3    | A500307   | Double-Sprocket (12T)       | 4    | 34A-3.   | S900512  | Cap Screw (M5-0.8Px12L)     | 2    | 107A-3   | N11012H   | Nut (M12-1.75P)              | 1    |
| 27A-4.   | K330062   | Chain (62S)                 | 1    | 35A      | 35A      | Gear Kit (25T/40T)          | 1    | 107A-4.  | T315106   | Grease Nipple (M6-1.0Px1.0)  | 1    |
| 29A      | 29A       | Worm Gear Kit 50Hz          | 1    | 35A-1    | A500310  | Gear (25T)                  | 1    | RO121    | RO121     | Roller tire (120D x 60, PCs) | 4    |
| 29A-1    | A500329   | Gear (31T)                  | 1    | 35A-2.   | A500311  | Gear (40T)                  | 1    |          |           |                              |      |

**MODEL: US03(L) HEAVY-DUTY UNIVERSAL STAND**



| Part No. | Code No. | Description                | Q'ty | Part No. | Code No. | Description              | Q'ty | Part No. | Code No. | Description                 | Q'ty |
|----------|----------|----------------------------|------|----------|----------|--------------------------|------|----------|----------|-----------------------------|------|
| 76A      | E580001A | Vertical Column Kit (560L) | 1    | 83H-2.   | N810636  | Lock Pin (6x36L)         | 1    | 99A-2    | S600850  | Hex Screw (M8-1.25Px50L)    | 1    |
| 77A      | E580002A | Over Arm (720mm)           | 1    | 84A      | G320090  | Elevating Screw          | 1    | 99A-3.   | T060003  | Pull Handle (M12-1.75Px77L) | 1    |
| 79A      | 79A      | Handwheel Kit              | 1    | 84B      | E580003A | Over Arm Kit (1050mm)    | 1    | 124A     | 124A     | Base Kit                    | 1    |
| 79A-1    | U010082  | Handwheel                  | 1    | 85A      | 85A      | Column Cape Kit          | 1    | 124A-1   | A200301  | Column Base                 | 1    |
| 79A-2.   | N810636  | Lock Pin (6x36L)           | 1    | 85A-1    | C020314A | Column Cape              | 1    | 124A-2   | S601275  | Hex Screw (M12-1.75Px75L)   | 1    |
| 80A      | 80A      | Pinion Kit                 | 1    | 85A-2.   | G000005  | Set Screw (M8-1.25Px12L) | 3    | 124A-3   | N050012  | Lock Washer (M12)           | 1    |
| 80A-1    | G020001  | Pinion                     | 1    | 87A      | U010011  | Handle-Grip              | 1    | 124A-4   | N011225  | Flat Washer (M12x25D)       | 1    |
| 80A-2    | G000007  | Set Screw (M8-1.25Px25L)   | 1    | 92A      | 92A      | Over Arm Cone Kit        | 1    | 124A-5   | G020010A | Handle(200mmL)              | 1    |
| 80A-3    | N030008  | Spring Washer (8.3x1.8t)   | 1    | 92A-1    | A200303  | Over Arm Cone            | 1    | 124A-6   | S601250  | Hex Screw (M12-1.75Px50L)   | 4    |
| 80A-4.   | N11008R  | Nut (M8-1.25P)             | 1    | 92A-2    | G020005  | Stud (M16-1.5P)          | 1    | 124A-7.  | N030012  | Spring Washer (M12)         | 4    |
| 82A      | 82A      | Swivel Cone Kit            | 1    | 92A-3    | G020007A | Handle                   | 1    | 128A     | 128A     | Elevating Bracket Kit       | 1    |
| 82A-1    | A200304  | Swivel Cone                | 1    | 92A-4    | N810622  | Lock Pin (6x22L)         | 1    | 128A-1   | A200302  | Elevating Bracket           | 1    |
| 82A-2    | G020005  | Stud (M16-1.5P)            | 1    | 92A-5    | N030010  | Spring Washer (M10)      | 2    | 128A-2   | S601275  | Hex Screw (M12-1.75Px75L)   | 2    |
| 82A-3    | G020007A | Handle                     | 1    | 92A-6    | S601050  | Hex Screw (M10-1.5Px50L) | 2    | 128A-3   | N050012  | Lock Washer (M12)           | 2    |
| 82A-4.   | N810622  | Lock Pin (6x22L)           | 1    | 92A-7.   | U010119  | Cord Sheath              | 1    | 128A-4   | N011225  | Flat Washer (M12x25D)       | 2    |
| 83H      | 83H      | Handle Kit                 | 1    | 99A      | 99A      | Motor Clamp kit          | 1    | 128A-5.  | G020006A | Handle                      | 2    |
| 83H-1    | U010139A | Handle w/ Bushing          | 1    | 99A-1    | A200305  | Motor Clamp              | 1    |          |          |                             |      |