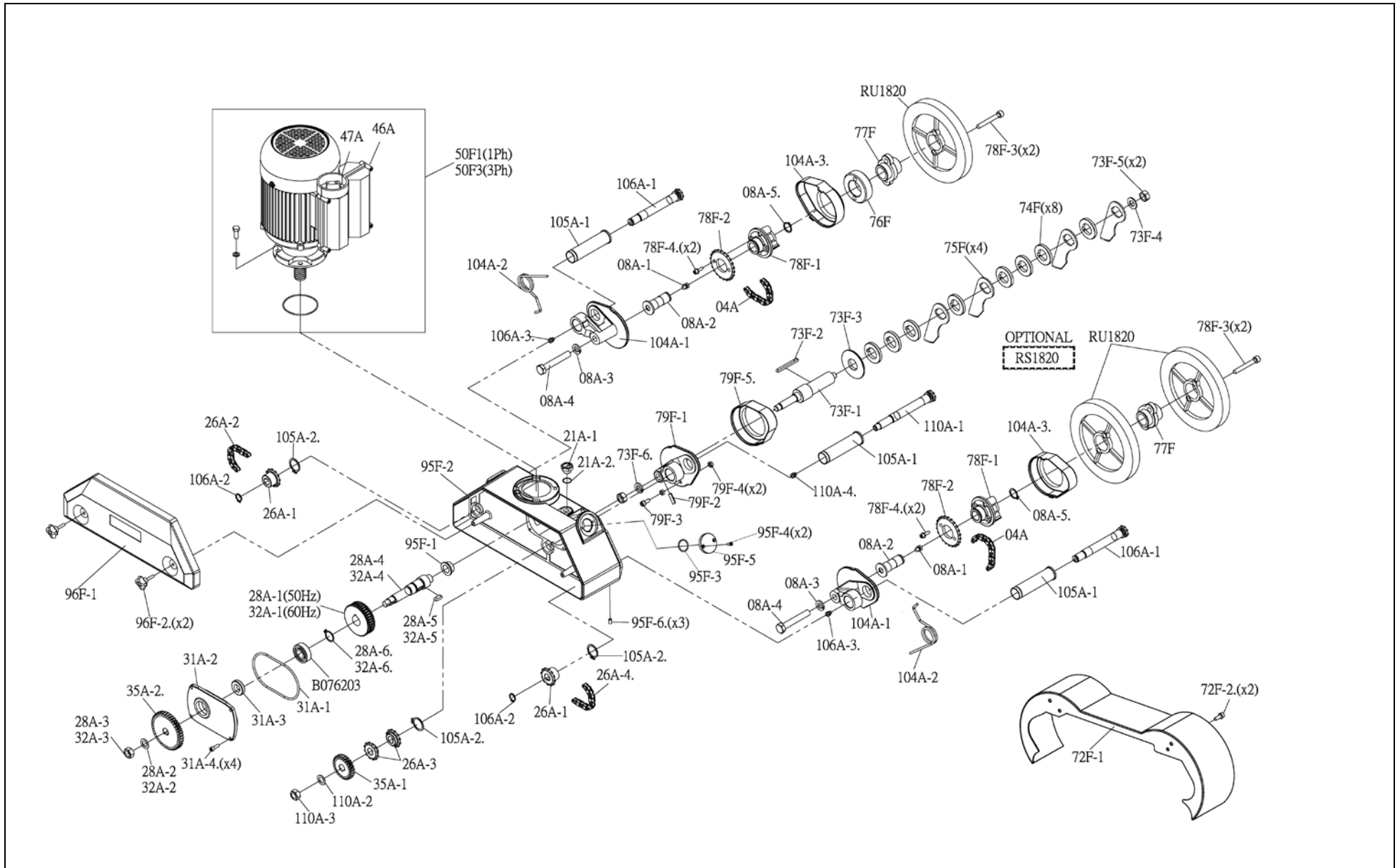
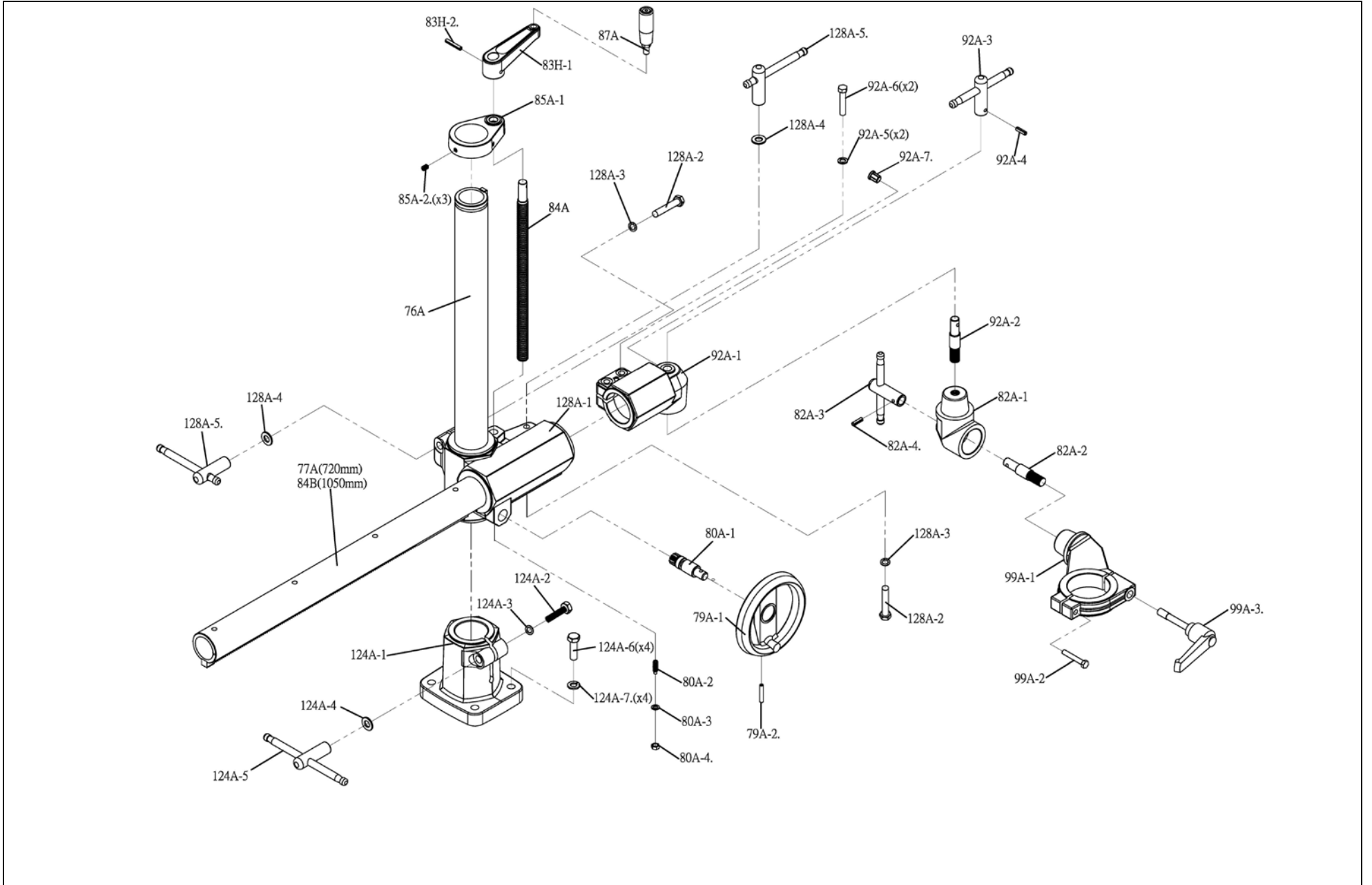


MODEL: AF24 HOUSING ASSEMBLY



Part No.	Code No.	Description	Q'ty	Part No.	Code No.	Description	Q'ty	Part No.	Code No.	Description	Q'ty
B076203	B076203	Bearing(#6203)	1	32A-4	G320014	Wormgear Shaft	1	79F-3	S060616	Cap Screw (M6-1.0Px16L)	1
04A	K330026	Chain (26S)	2	32A-5	K420618	Key (6x6x18L)	1	79F-4	N11006R	Nut (M6-1.0P)	2
08A	08A	Roller Spindle Kit	2	32A-6.	N510022	Snap Ring	1	79F-5.	U010052	Case Cap	1
08A-1	T315106	Grease Nipple (M6-1.0Px1.0)	1	35A	35A	Gear Kit (25T/40T)	1	95F	95F	Housing Frame Kit	1
08A-2	G320028	Roller Spindle	1	35A-1	A500310	Gear (25T)	1	95F-1	A500301	Bushing (29Dx23Dx(9+3))	1
08A-3	N030012	Spring Washer (M12)	1	35A-2.	A500311	Gear (40T)	1	95F-2	C020048	Housing Frame	1
08A-4	S601275	Hex Screw (M12-1.75Px75L)	1	46A	46A	Switch Box	1	95F-3	Q010028	"O" Ring (S28)	1
08A-5.	N510020	Snap Ring (20)	1	47A	47A	Switch Kit	1	95F-4	S900512	Cap Screw (M5-0.8Px12L)	2
21A	21A	Oil-Cap Kit (M16)	1	50F1	50F1	Motor w/ Switch 1/2HP 4/8P.1	1	95F-5	U010037	Gearbox Cap	1
21A-1	U010008	Oil Cap (16mm)	1	50F3	50F3	Motor w/ Switch 1/2HP 4/8P.3	1	95F-6.	S100610	Set Screw (M6-1.0Px10L)	3
21A-2.	Q010012	"O" Ring (P12)	1	72F	72F	Roller Cover Kit	1	96F	96F	Housing Cover Kit	1
26A	26A	Transmission Kit	1	72F-1	G110011	Roller Cover	1	96F-1	U010035	Housing Cover	1
26A-1	A500303	Sprocket (12Tx3/8")	2	72F-2.	S060616	Cap Screw (M6-1.0Px16L)	2	96F-2.	U010051	Knob (M6-1.0Px30L)	2
26A-2	K330062	Chain (62S)	1	73F	73F	Anti-Kickback Shaft Kit	1	104A	104A	Sprocket Case Kit	2
26A-3	A500307	Double-Sprocket (12T)	2	73F-1	G320050	Anti-Kickback Shaft	1	104A-1	C020332-1	Sprocket Case	1
26A-4.	K330040	Chain (40S)	1	73F-2	K420560	Key (5x5x60L)	1	104A-2	N950001	Spring (φ38x11.4)	1
28A	28A	Worm Gear Kit 50Hz	1	73F-3	G020036	Dust Sheld	1	104A-3.	U010052	Case Cap	1
28A-1	C120008	Worm Gear (30T, 50Hz)	1	73F-4	N011235	Flat Washer (M12x35D)	1	105A	105A	Tube Kit	3
28A-2	N011225	Flat Washer (M12x25D)	1	73F-5	N11012H	Nut (M12-1.75P)	2	105A-1	E270006	Tube	1
28A-3	N11012H	Nut (M12-1.75P)	1	73F-6.	N030012	Spring Washer (M12)	1	105A-2.	N510026	Snap Ring (26)	1
28A-4	G320014	Wormgear Shaft	1	74F	G020035	Anti-Kickback Spacer	8	106A	106A	Sprocket Shaft Kit	2
28A-5	K420618	Key (6x6x18L)	1	75F	G110012	Anti-Kickback	4	106A-1	G320132	Sprocket Shaft	1
28A-6.	N510022	Snap Ring (22)	1	76F	G020034	Roller Spacer	1	106A-2	N510015	Snap Ring (15)	1
31A	31A	Wormgear Box Cover Kit	1	77F	A200347	Roller Adaptor	2	106A-3.	T315106	Grease Nipple (M6-1.0Px1.0)	1
31A-1	Q010102	"O" Ring (G102)	1	78F	78F	Roller Supporter Kit	2	110A	110A	Main Procket Case Kit	1
31A-2	C020345	Wormgear Box Cover	1	78F-1	C020333A	Roller Supporter	1	110A-1	G320133	Main Sprocket Shaft	1
31A-3	Q021701	Oil Seal (17x32x7t)	1	78F-2	A500309	Sprocket	1	110A-2	N011225	Flat Washer (M12x25D)	1
31A-4.	S070516	Cap Screw (M5-0.8Px16L)	4	78F-3	G000020	Cap Screw (M8-1.25Px60L)	2	110A-3	N11012H	Nut (M12-1.75P)	1
32A	32A	Worm Gear Kit 60Hz	1	78F-4.	S060616	Cap Screw (M6-1.0Px16L)	2	110A-4.	T315106	Grease Nipple (M6-1.0Px1.0)	1
32A-1	C120001	Worm Gear (38T, 60Hz)	1	79F	79F	Sprocket Case Kit	1	RU1820	C010058	PU ROLLER, φ180x20x1PC	3
32A-2	N011225	Flat Washer (M12x25D)	1	79F-1	C020332-1	Sprocket Case	1	RS1820	A470033	SERRATED ROLLER, φ175x20x1	3
32A-3	N11012H	Nut (M12-1.75P)	1	79F-2	N810622	Lock Pin (6x22L)	1				

MODEL: US03(L) HEAVY-DUTY UNIVERSAL STAND



Part No.	Code No.	Description	Q'ty	Part No.	Code No.	Description	Q'ty	Part No.	Code No.	Description	Q'ty
76A	E580001A	Vertical Column Kit (560L)	1	83H-2.	N810636	Lock Pin (6x36L)	1	99A-2	S600850	Hex Screw (M8-1.25Px50L)	1
77A	E580002A	Over Arm (720mm)	1	84A	G320090	Elevating Screw	1	99A-3.	T060003	Pull Handle (M12-1.75Px77L)	1
79A	79A	Handwheel Kit	1	84B	E580003A	Over Arm Kit (1050mm)	1	124A	124A	Base Kit	1
79A-1	U010082	Handwheel	1	85A	85A	Column Cape Kit	1	124A-1	A200301	Column Base	1
79A-2.	N810636	Lock Pin (6x36L)	1	85A-1	C020314A	Column Cape	1	124A-2	S601275	Hex Screw (M12-1.75Px75L)	1
80A	80A	Pinion Kit	1	85A-2.	G000005	Set Screw (M8-1.25Px12L)	3	124A-3	N050012	Lock Washer (M12)	1
80A-1	G020001	Pinion	1	87A	U010011	Handle-Grip	1	124A-4	N011225	Flat Washer (M12x25D)	1
80A-2	G000007	Set Screw (M8-1.25Px25L)	1	92A	92A	Over Arm Cone Kit	1	124A-5	G020010A	Handle(200mmL)	1
80A-3	N030008	Spring Washer (8.3x1.8t)	1	92A-1	A200303	Over Arm Cone	1	124A-6	S601250	Hex Screw (M12-1.75Px50L)	4
80A-4.	N11008R	Nut (M8-1.25P)	1	92A-2	G020005	Stud (M16-1.5P)	1	124A-7.	N030012	Spring Washer (M12)	4
82A	82A	Swivel Cone Kit	1	92A-3	G020007A	Handle	1	128A	128A	Elevating Bracket Kit	1
82A-1	A200304	Swivel Cone	1	92A-4	N810622	Lock Pin (6x22L)	1	128A-1	A200302	Elevating Bracket	1
82A-2	G020005	Stud (M16-1.5P)	1	92A-5	N030010	Spring Washer (M10)	2	128A-2	S601275	Hex Screw (M12-1.75Px75L)	2
82A-3	G020007A	Handle	1	92A-6	S601050	Hex Screw (M10-1.5Px50L)	2	128A-3	N050012	Lock Washer (M12)	2
82A-4.	N810622	Lock Pin (6x22L)	1	92A-7.	U010119	Cord Sheath	1	128A-4	N011225	Flat Washer (M12x25D)	2
83H	83H	Handle Kit	1	99A	99A	Motor Clamp kit	1	128A-5.	G020006A	Handle	2
83H-1	U010139A	Handle w/ Bushing	1	99A-1	A200305	Motor Clamp	1				