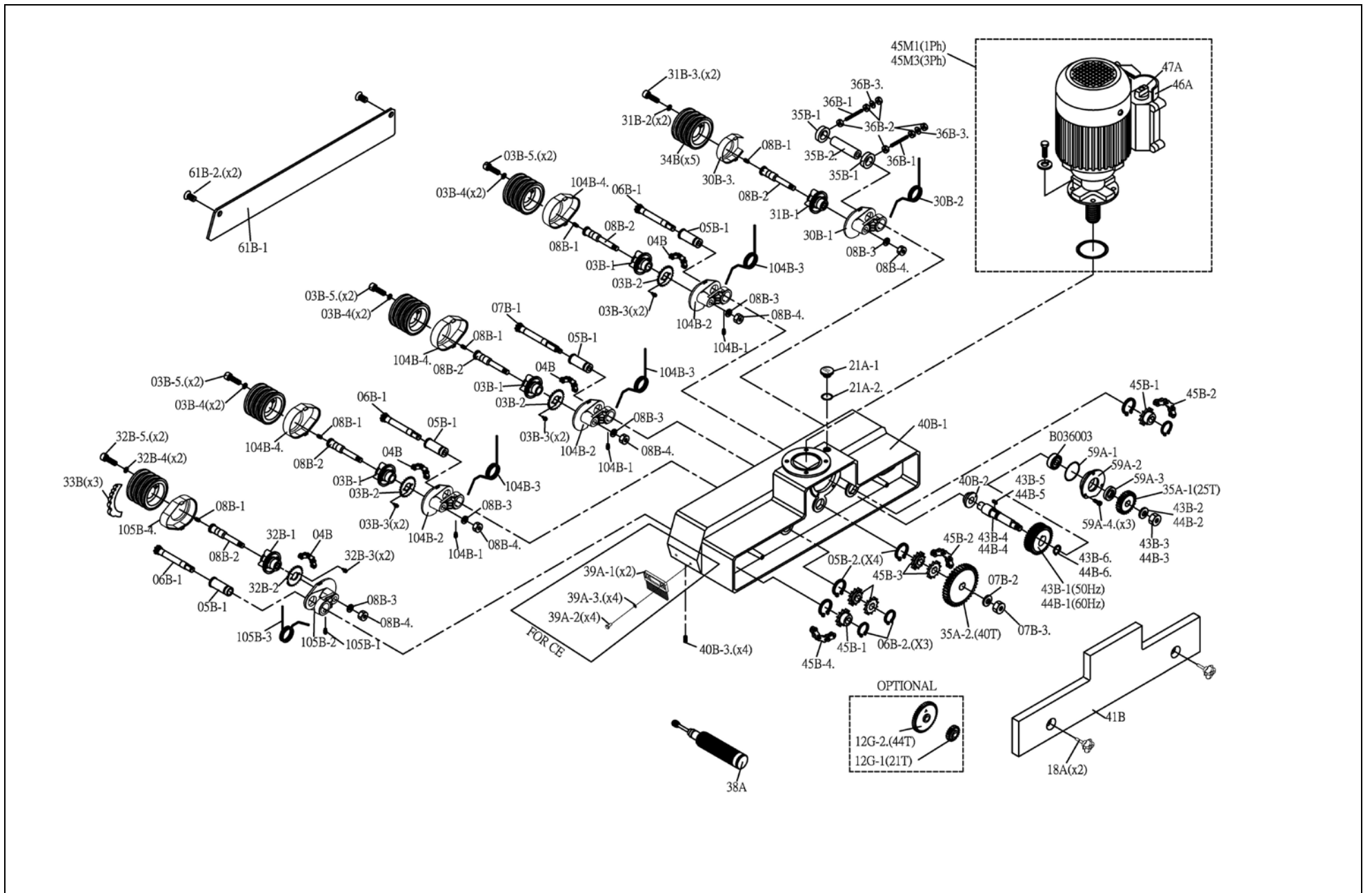
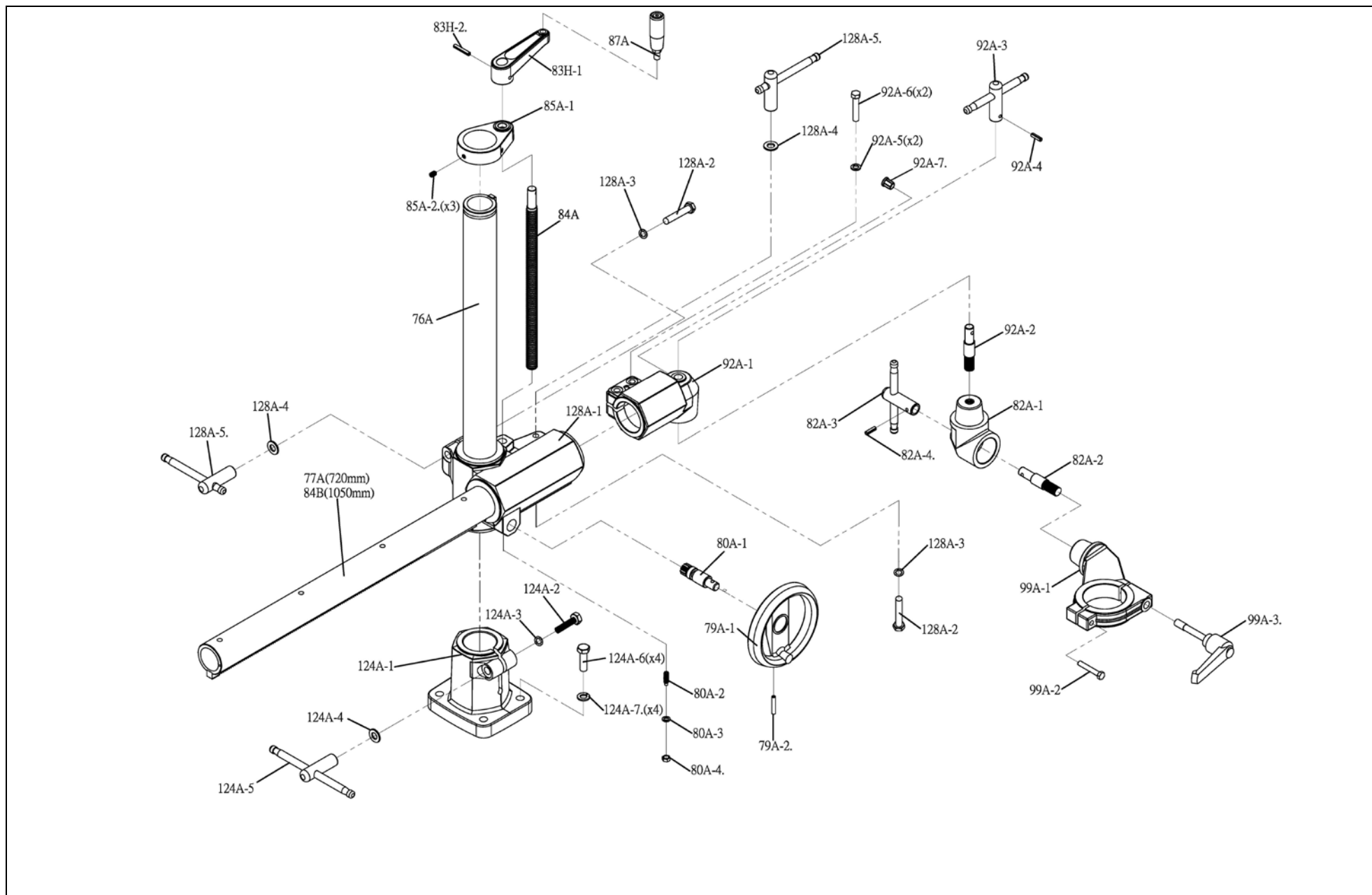


**MODEL: AF04 HOUSING ASSEMBLY**



Part No.	Code No.	Description	Q'ty	Part No.	Code No.	Description	Q'ty	Part No.	Code No.	Description	Q'ty
B036003	B036003	Bearing (#6003)	1	31B-2	N050058	Lock Washer (5/16"x1.4t)	2	43B-6.	N510022	Snap Ring (22)	1
03B	03B	Roller Base Kit	3	31B-3.	S900825	Cap Screw (M8-1.25Px25L)	2	44B	44B	Wormgear Shaft Kit 60Hz	1
03B-1	A200320	Roller Supporter	1	32B	32B	Roller Supporter Kit	1	44B-1	C120001	Worm Gear (38T, 60Hz)	1
03B-2	A500312	Sprocket (17T)	1	32B-1	A200329A	Roller Supporter	1	44B-2	N011225	Flat Washer (M12x25D)	1
03B-3	S070516	Cap Screw (M5-0.8Px16L)	2	32B-2	A500312	Sprocket (17T)	1	44B-3	N11012H	Nut (M12-1.75P)	1
03B-4	N050058	Lock Washer (5/16"x1.4t)	2	32B-3	S070516	Cap Screw (M5-0.8Px16L)	2	44B-4	G320012	Worm Gear Spindle	1
03B-5.	S900825	Cap Screw (M8-1.25Px25L)	2	32B-4	N050058	Lock Washer (5/16"x1.4t)	2	44B-5	K420618	Key (6x6x18L)	1
04B	K330022	Chain (22S)	4	32B-5.	S900825	Cap Screw (M8-1.25Px25L)	2	44B-6.	N510022	Snap Ring (22)	1
05B	05B	Tube Kit (M)	4	33B	K250001	Feeding Belt (φ44"x1/2"Wx1PC)	3	45B	45B	Transmission Kit (04)	1
05B-1	E270002	Tube (φ27xφ19x81L)	1	34B	C010355	Belt Pulley	5	45B-1	A500303	Sprocket (12Tx3/8")	2
05B-2.	N510026	Snap Ring (26)	1	35A	35A	Gear Kit (25T/40T)	1	45B-2	K330034	Chain (34S)	2
06B	06B	Sprocket Shaft Kit	3	35A-1	A500310	Gear (25T)	1	45B-3	A500307	Double-Sprocket (12T)	4
06B-1	G320006	Sprocket Shaft	1	35A-2.	A500311	Gear (40T)	1	45B-4.	K330052	Chain (52S)	1
06B-2.	N510015	Snap Ring (15)	1	35B	35B	Tube Kit (04)	1	45M1	45M1	Motor w/ Switch 1HP.1	1
07B	07B	Main Sprocket Shaft Kit	1	35B-1	G320013	Tension Ring	2	45M3	45M3	Motor w/ Switch 1HP.3	1
07B-1	G320007	Main Sprocket Shaft	1	35B-2.	E270003	Tube (φ27xφ19x104L)	1	46A	46A	Switch Box	1
07B-2	N011225	Flat Washer (M12x25D)	1	36B	36B	Tension Screw Kit	2	47A	47A	Switch Kit	1
07B-3.	N11012H	Nut (M12-1.75P)	1	36B-1	S101055	Set Screw (M10-1.5Px55L)	1	59A	59A	Wormgear Cover Kit	1
08B	08B	Roller Spindle Kit	5	36B-2	N11010R	Nut (M10-1.5P)	3	59A-1	Q010065	"O" Ring (G65)	1
08B-1	T315106	Grease Nipple (M6-1.0Px1.0)	1	36B-3.	N015925	Flat Washer (3/8"x25x10t)	1	59A-2	C020310	Worm Gear Cover	1
08B-2	G320008	Roller Spindle	1	38A	T344001	Grease Gun	1	59A-3	Q021701	Oil Seal (17x32x7t)	1
08B-3	N030012	Spring Washer (M12)	1	39A	39A	Brush Kit	2	59A-4.	S070516	Cap Screw (M5-0.8Px16L)	3
08B-4.	N11012H	Nut (M12-1.75P)	1	39A-1	U010088	Brush	1	61B	61B	Belt Shield Kit	1
12G	12G	GEAR SET (21T/44T, HD)	1	39A-2	S600612	Hex Screw (M6-1.0Px12)	2	61B-1	G110005	Belt Shield	1
12G-1	A500344	Gear (21T)	1	39A-3.	N050057	Lock Washer (1/4"x1.4t)	2	61B-2.	S500508	PH. Screw (M5-0.8Px8L)	2
12G-2.	A500345	Gear (44T)	1	40B	40B	Housing Frame Kit (5R)	1	104B	104B	Sprocket Case Kit (M.Lt)	3
18A	U010051	Knob (M6-1.0Px30L)	2	40B-1	C010353	Housing Frame (5R)	1	104B-1	T315106	Grease Nipple (M6-1.0Px1.0)	1
21A	21A	Oil-Cap Kit (M16)	1	40B-2	A500301	Bushing (29Dx23Dx(9+3))	1	104B-2	C020009	Sprocket Case	1
21A-1	U010008	Oil Cap (16mm)	1	40B-3.	S100610	Set Screw (M6-1.0Px10L)	4	104B-3	N950001	Spring (φ38x11.4)	1
21A-2.	Q010012	"O" Ring (P12)	1	41B	C010354	Housing Cover (5R)	1	104B-4.	U010065	Case Cover	1
30B	30B	Sprocket Case Kit (04)	1	43B	43B	Wormgear Shaft Kit 50Hz	1	105B	105B	Sprocket Case Kit (M.Rt)	1
30B-1	C020009	Sprocket Case	1	43B-1	C120008	Worm Gear (30T, 50Hz)	1	105B-1	T315106	Grease Nipple (M6-1.0Px1.0)	1
30B-2	N950001	Spring (φ38x11.4)	1	43B-2	N011225	Flat Washer (M12x25D)	1	105B-2	C020009	Sprocket Case	1
30B-3.	U010111	Case Cover	1	43B-3	N11012H	Nut (M12-1.75P)	1	105B-3	N950001	Spring (φ38x11.4)	1
31B	31B	Roller Supporter	1	43B-4	G320012	Worm Gear Spindle	1	105B-4.	U010065	Case Cover	1
31B-1	A200329A	Roller Supporter	1	43B-5.	K420618	Key(6x6x18L)	1				

**MODEL: US03(L) HEAVY-DUTY UNIVERSAL STAND**



Part No.	Code No.	Description	Q'ty	Part No.	Code No.	Description	Q'ty	Part No.	Code No.	Description	Q'ty
76A	E580001A	Vertical Column Kit (560L)	1	83H-2.	N810636	Lock Pin (6x36L)	1	99A-2	S600850	Hex Screw (M8-1.25Px50L)	1
77A	E580002A	Over Arm (720mm)	1	84A	G320090	Elevating Screw	1	99A-3.	T060003	Pull Handle (M12-1.75Px77L)	1
79A	79A	Handwheel Kit	1	84B	E580003A	Over Arm Kit (1050mm)	1	124A	124A	Base Kit	1
79A-1	U010082	Handwheel	1	85A	85A	Column Cape Kit	1	124A-1	A200301	Column Base	1
79A-2.	N810636	Lock Pin (6x36L)	1	85A-1	C020314A	Column Cape	1	124A-2	S601275	Hex Screw (M12-1.75Px75L)	1
80A	80A	Pinion Kit	1	85A-2.	G000005	Set Screw (M8-1.25Px12L)	3	124A-3	N050012	Lock Washer (M12)	1
80A-1	G020001	Pinion	1	87A	U010011	Handle-Grip (M10-P1.5x70L)	1	124A-4	N011225	Flat Washer (M12x25D)	1
80A-2	G000007	Set Screw (M8-1.25Px25L)	1	92A	92A	Over Arm Cone Kit	1	124A-5	G020010A	Handle(200mmL)	1
80A-3	N030008	Spring Washer (8.3x1.8t)	1	92A-1	A200303	Over Arm Cone	1	124A-6	S601250	Hex Screw (M12-1.75Px50L)	4
80A-4.	N11008R	Nut (M8-1.25P)	1	92A-2	G020005	Stud (M16-1.5P)	1	124A-7.	N030012	Spring Washer (M12)	4
82A	82A	Swivel Cone Kit	1	92A-3	G020007A	Handle	1	128A	128A	Elevating Bracket Kit	1
82A-1	A200304	Swivel Cone	1	92A-4	N810622	Lock Pin (6x22L)	1	128A-1	A200302	Elevating Bracket	1
82A-2	G020005	Stud (M16-1.5P)	1	92A-5	N030010	Spring Washer (M10)	2	128A-2	S601275	Hex Screw (M12-1.75Px75L)	2
82A-3	G020007A	Handle	1	92A-6	S601050	Hex Screw (M10-1.5Px50L)	2	128A-3	N050012	Lock Washer (M12)	2
82A-4.	N810622	Lock Pin (6x22L)	1	92A-7.	U010119	Cord Sheath	1	128A-4	N011225	Flat Washer (M12x25D)	2
83H	83H	Handle Kit	1	99A	99A	Motor Clamp kit	1	128A-5.	G020006A	Handle	2
83H-1	U010139A	Handle w/ Bushing	1	99A-1	A200305	Motor Clamp	1				