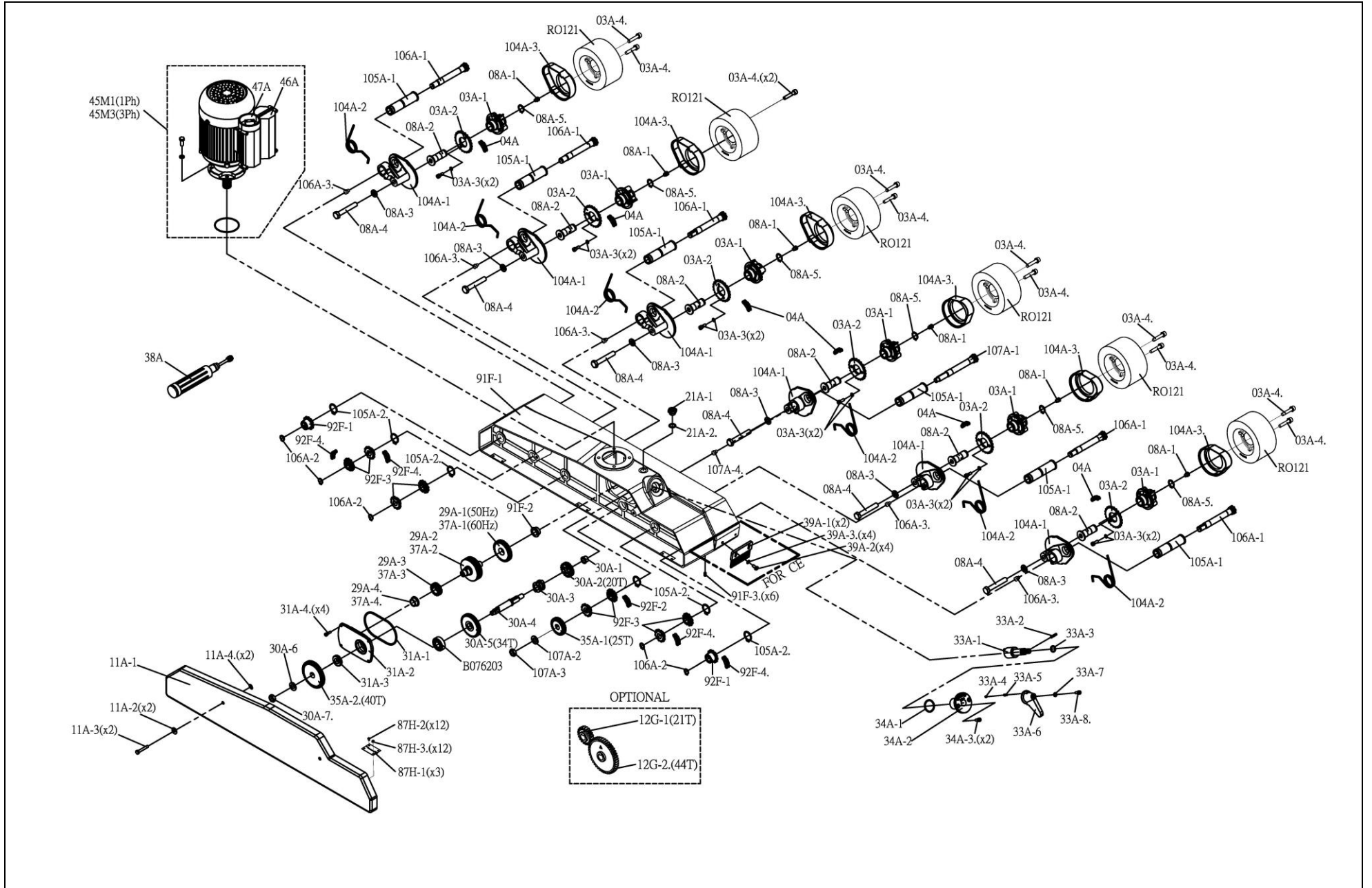
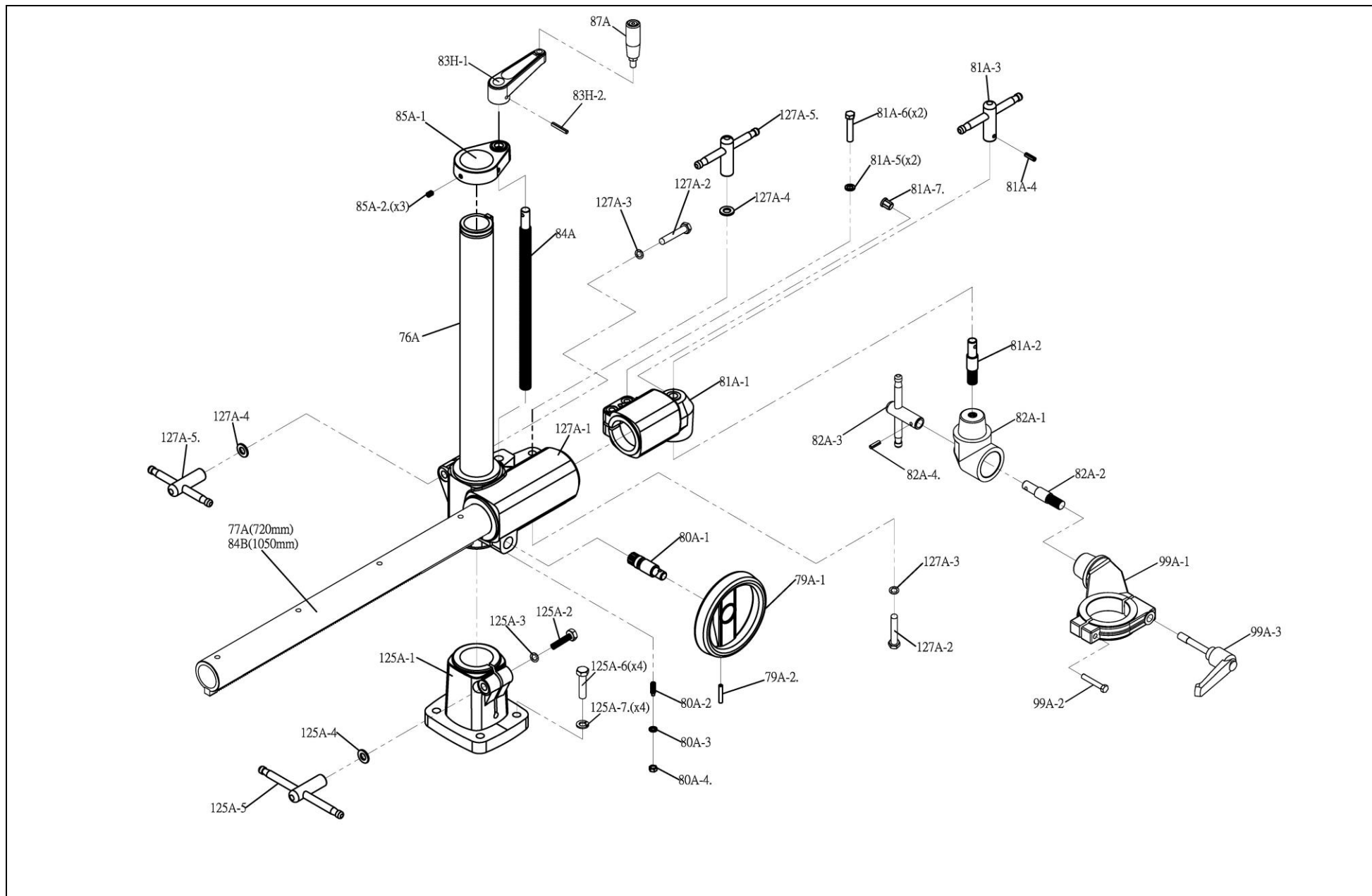


MODEL: AF68 HOUSING ASSEMBLY



Part No.	Code No.	Description	Q'ty	Part No.	Code No.	Description	Q'ty	Part No.	Code No.	Description	Q'ty
B076203	B076203	Bearing(#6203)	1	30A-4	G320069	Transmission Shaft	1	39A-2	S600612	Hex Screw (M6-1.0Px12)	2
03A	03A	Roller Supporter Kit	6	30A-5	A500319	Gear (34T)	1	39A-3.	N050057	Lock Washer (1/4"x1.4t)	2
03A-1	C020333A	Roller Supporter	1	30A-6	N011225	Flat Washer (M12x25D)	1	45M1	45M1	Motor w/ Switch 1HP.1	1
03A-2	A500309	Sprocket	1	30A-7.	N11012H	Nut (M12-1.75P)	1	45M3	45M3	Motor w/ Switch 1HP.3	1
03A-3	S060616	Cap Screw (M6-1.0Px16L)	2	31A	31A	Wormgear Box Cover Kit	1	46A	46A	Switch Box	1
03A-4.	S060840	Cap Screw (M8-1.25Px40L)	2	31A-1	Q010102	"O" Ring (G102)	1	47A	47A	Switch Kit	1
04A	K330026	Chain (26S)	6	31A-2	C020345	Wormgear Box Cover	1	91F	91F	Housing Frame Kit	1
08A	08A	Roller Spindle Kit	6	31A-3	Q021701	Oil Seal (17x32x7t)	1	91F-1	C010071	Housing Frame(68)	1
08A-1	T315106	Grease Nipple (M6-1.0Px1.0)	1	31A-4.	S070516	Cap Screw (M5-0.8Px16L)	4	91F-2	A500301	Bushing (29Dx23Dx(9+3))	1
08A-2	G320028	Roller Spindle	1	33A	33A	Speed Lever Kit (8S)	1	91F-3.	S100610	Set Screw (M6-1.0Px10L)	6
08A-3	N030012	Spring Washer (M12)	1	33A-1	G320015	Gear Lever	1	92F	92F	Transmission Kit (68)	1
08A-4	S601275	Hex Screw (M12-1.75Px75L)	1	33A-2	N810420	Lock Pin (4x20L)	1	92F-1	A500303	Sprocket (12Tx3/8")	2
08A-5.	N510020	Snap Ring (20)	1	33A-3	Q010012	"O" Ring (P12)	1	92F-2	K330062	Chain (62S)	1
11A	11A	Housing Cover Kit	1	33A-4	R090005	Steel Ball (5mm)	1	92F-3	A500307	Double-Sprocket (12T)	8
11A-1	G110063	Housing Cover	1	33A-5	N930004	Comp. Spring (φ 4.5x φ 3.3)	1	92F-4.	K330040	Chain (40S)	4
11A-2	N015707	Flat Washer (19x6.5x1.5t)	2	33A-6	U010040	Speed Lever	1	104A	104A	Sprocket Case Kit	6
11A-3	S600640	Hex Screw (M6-1.0Px40L)	2	33A-7	N050005	Lock Washer (5D)	1	104A-1	C020332-1	Sprocket Case	1
11A-4.	N070616	Disc Washer (6x16)	2	33A-8.	S900512	Cap Screw (M5-0.8Px12L)	1	104A-2	N950001	Spring (φ 38x11.4)	1
12G	12G	GEAR SET (21T/44T)	1	34A	34A	Speed Lever Sleeve Kit, 8S	1	104A-3.	U010052	Case Cap	1
12G-1	A500344	Gear (21T)	1	34A-1	Q010028	"O" Ring (S28)	1	105A	105A	Tube Kit	6
12G-2.	A500345	Gear (44T)	1	34A-2	C020085	Speed Lever Sleeve	1	105A-1	E270006	Tube	1
21A	21A	Oil-Cap Kit (M16)	1	34A-3.	S900512	Cap Screw (M5-0.8Px12L)	2	105A-2.	N510026	Snap Ring (26)	1
21A-1	U010008	Oil Cap (16mm)	1	35A	35A	Gear Kit (25T/40T)	1	106A	106A	Sprocket Shaft Kit	5
21A-2.	Q010012	"O" Ring (P12)	1	35A-1	A500310	Gear (25T)	1	106A-1	G320132	Sprocket Shaft	1
29A	29A	Worm Gear Kit 50Hz	1	35A-2.	A500311	Gear (40T)	1	106A-2	N510015	Snap Ring (15)	1
29A-1	A500329	Gear (31T)	1	37A	37A	Worm Gear Kit 60Hz	1	106A-3.	T315106	Grease Nipple (M6-1.0Px1.0)	1
29A-2	A460002	Worm Gear (30T, 50Hz)	1	37A-1	A500329	Gear (31T)	1	107A	107A	Main Sprocket Shaft Kit	1
29A-3	A500330	Gear (17T)	1	37A-2	A460001	Worm Gear (38T, 60Hz)	1	107A-1	G320133	Main Sprocket Shaft	1
29A-4.	A500301	Bushing (29Dx23Dx(9+3))	1	37A-3	A500330	Gear (17T)	1	107A-2	N011225	Flat Washer (M12x25D)	1
30A	30A	Transmission Shaft Kit, 8S	1	37A-4.	A500301	Bushing (29Dx23Dx(9+3))	1	107A-3	N11012H	Nut (M12-1.75P)	1
30A-1	A500305	Bushing (20Dx17Dx(10+2))	1	38A	T344001	Grease Gun	1	107A-4.	T315106	Grease Nipple (M6-1.0Px1.0)	1
30A-2	A500320	Gear (20T)	1	39A	39A	Brush Kit	2	RO121	RO121	Roller tire (120D x 60, PCs)	6
30A-3	A500318	Clutch	1	39A-1	U010088	Brush	1				

MODEL: US13(L) HEAVY-DUTY UNIVERSAL STAND



Part No.	Code No.	Description	Q'ty	Part No.	Code No.	Description	Q'ty	Part No.	Code No.	Description	Q'ty
76A	E580001A	Vertical Column Kit(560mm)	1	81A-7.	U010119	Cord Sheath	1	99A-2	S600850	Screw	1
77A	E580002A	Over Arm Kit (720mm)	1	82A	82A	Swivel Cone Kit	1	99A-4.	T060003	Pull Handle	1
79A	79A	Handwheel Kit	1	82A-1	A200304	Swivel Cone	1	125A	125A	Base Kit	1
79A-1	U010082	Handwheel	1	82A-2	G020005	Stud	1	125A-1	A250401	Column Base	1
79A-2.	N810636	Lock Pin	1	82A-3	G020007A	Handle	1	125A-2	S601275	Hex Screw (M12-1.75Px75L)	1
80A	80A	Pinion Kit	1	82A-4.	N810622	Lock Pin	1	125A-3	N050012	Lock Washer (M12)	1
80A-1	G020001	Pinion	1	83H	83H	Handle Kit	1	125A-4	N011225	Washer	1
80A-2	G000007	Screw	1	83H-1	U010139A	Handle w/ Bushing	1	125A-5	G020010A	Handle(200mmL)	1
80A-3	N030008	Spring Washer	1	83H-2.	N810636	Lock Pin	1	125A-6	S601250	Hex Screw	4
80A-4.	N11008R	Nut	1	84A	G320090	Elevating Screw	1	125A-7.	N030012	Spring Washer	4
81A	81A	Over Arm Cone Kit	1	84B	E580003A	Over Arm Kit (1050mm)	1	127A	127A	Elevating Bracket Kit	1
81A-1	A250403	Over Arm Cone	1	85A	85A	Column Cape Kit	1	127A-1	A250402	Elevating Bracket	1
81A-2	G020005	Stud	1	85A-1	C020314A	Column Cape	1	127A-2	S601275	Hex Screw (M12-1.75Px75L)	2
81A-3	G020007A	Handle	1	85A-2.	G000005	Screw	3	127A-3	N050012	Lock Washer (M12)	2
81A-4	N810622	Lock Pin	1	87A	U010011	Handle-Grip (M10-P1.5x70L)	1	127A-4	N011225	Washer	2
81A-5	N030010	Washer	2	99A	99A	Motor Clamp kit	1	127A-5.	G020006A	Handle	2
81A-6	S601050	Screw	2	99A-1	A200305	Motor Clamp	1				