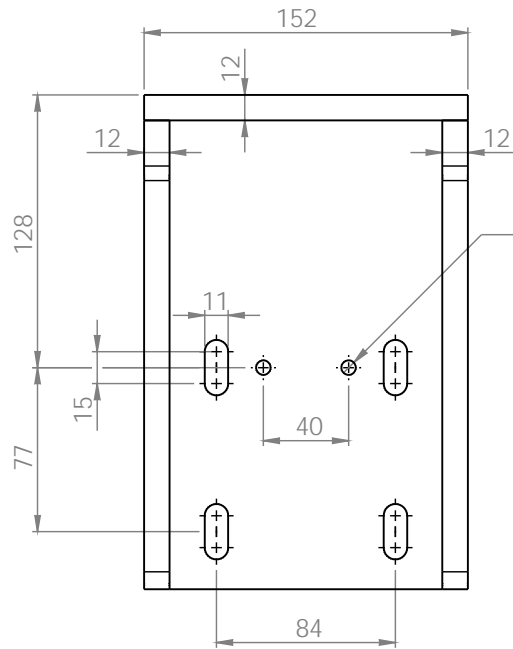
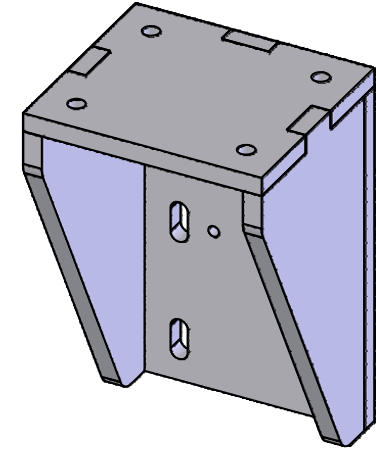
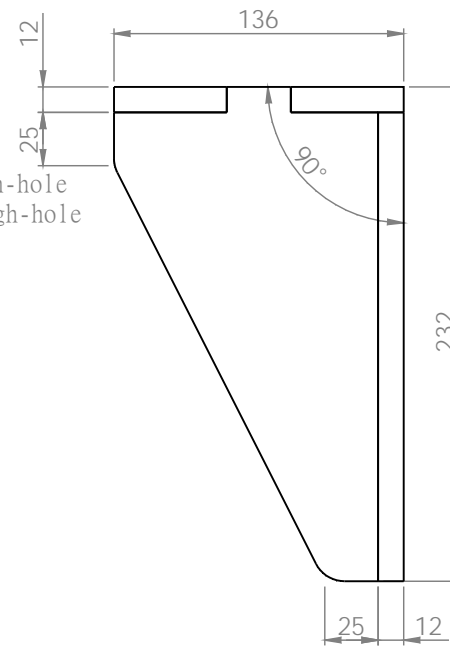


Ø 4 x 10.50 Through-hole
 M12x1.75 - 6H Through-hole



Ø 2 x 6.80 Through-hole
 M8x1.25 - 6H Through-hole



					Unit	M		SS41				
					Ratio	1:2.5						

P/N. C019390