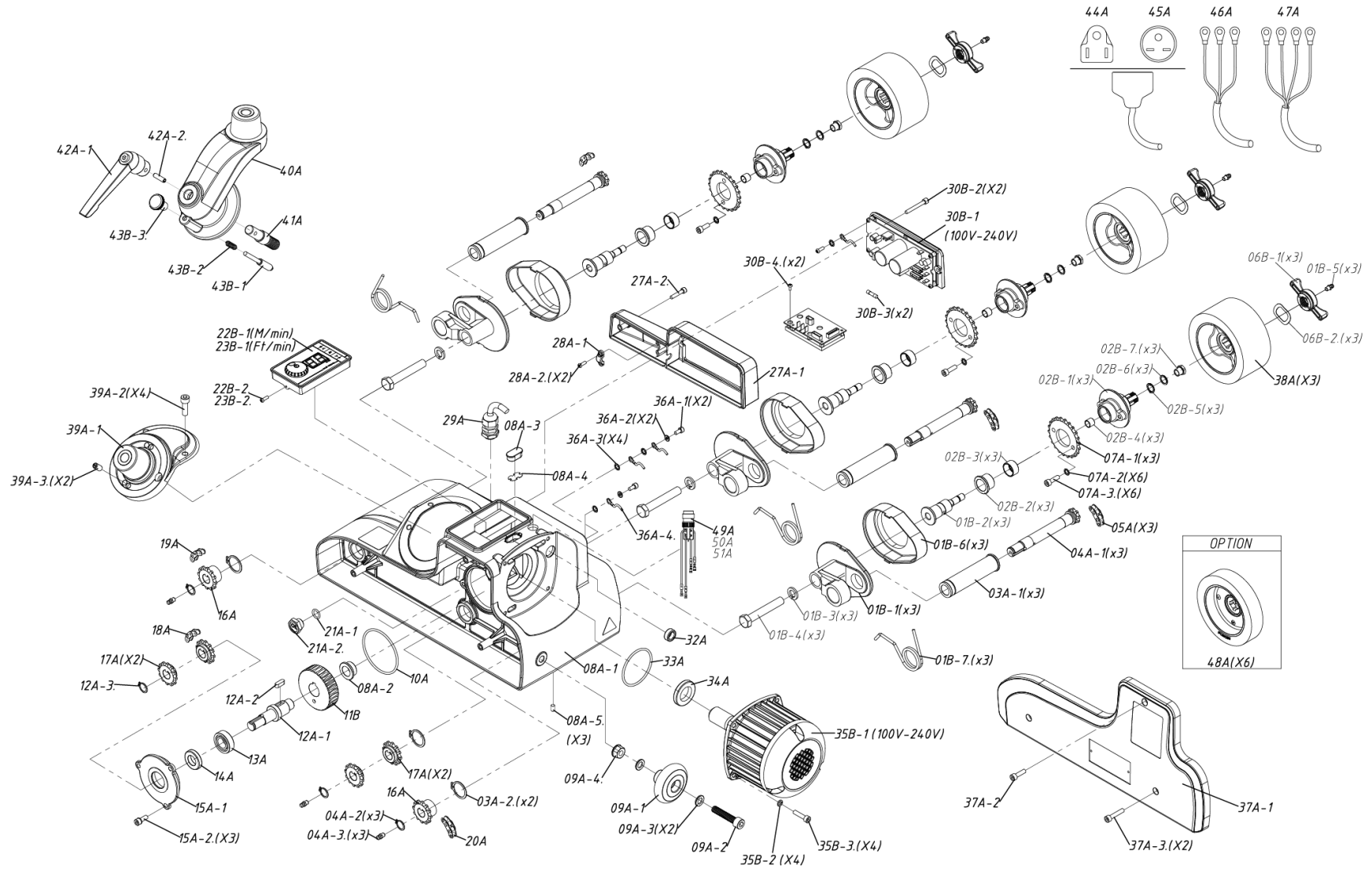
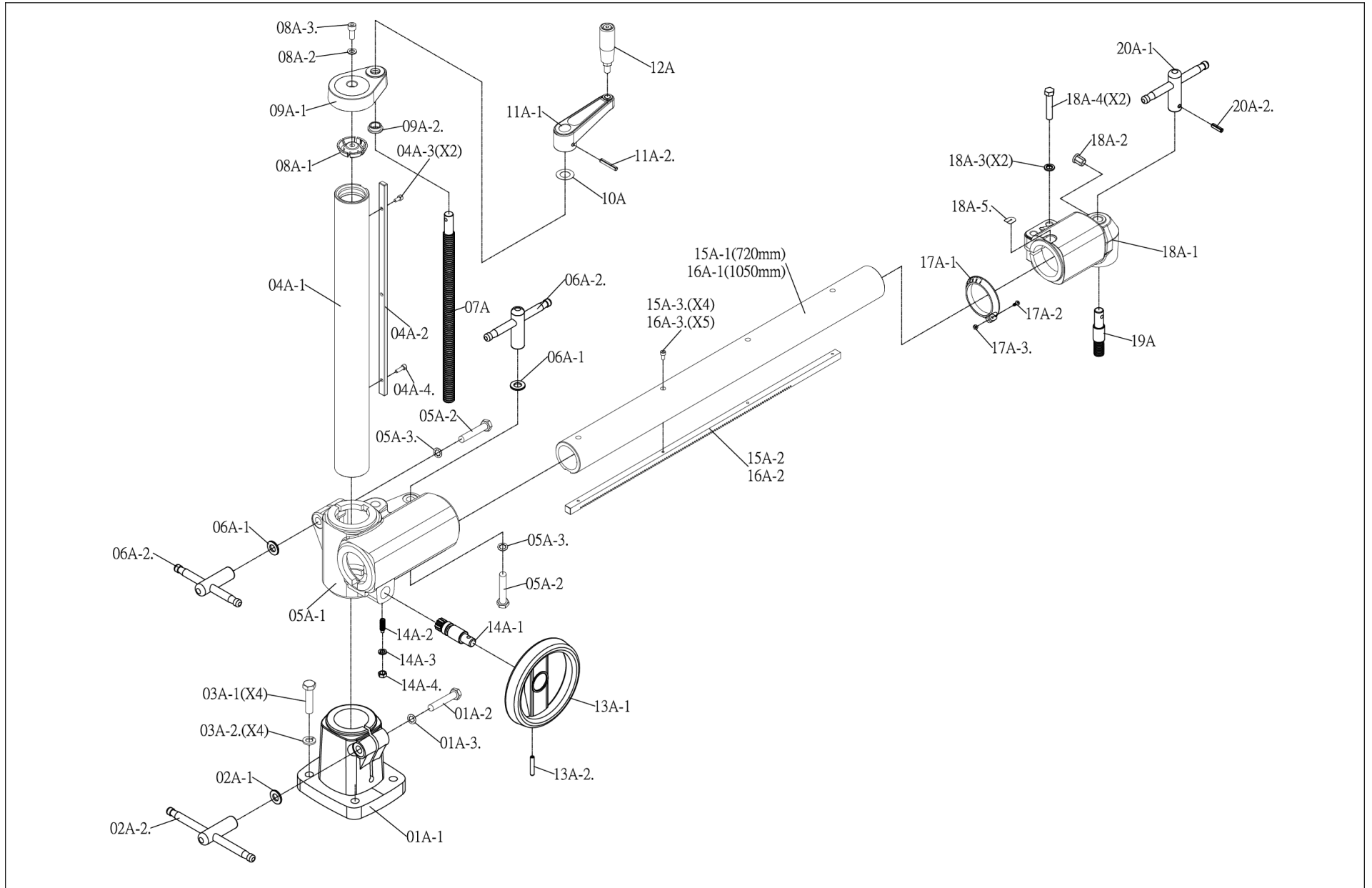


**MODEL: DC30B(CUS)**



Part No.	Code No.	Description	Q'ty	Part No.	Code No.	Description	Q'ty	Part No.	Code No.	Description	Q'ty
01B	01B	Sprocket Case Kit	3	12A	12A	Wormgear Shaft Kit	1	36A-2	N010510	Flat Washer	2
01B-1	C020332	Sprocket Case	1	12A-1	G320038	Wormgear Shaft	1	36A-3	N050005	Lock Washer	4
01B-2	G320299	Roller Spindle	1	12A-2	K420618	Key 6X6X18L	1	36A-4.	J910099	Grounding Wire 18AWGX120L	1
01B-3	N030012	Spring Washer	1	12A-3.	N510015	Snap Ring	1	37A	37A	Housing Cover Kit	1
01B-4	S601275	Hex Screw	1	13A	B036003	Bearing(#6003)	1	37A-1	U010269	Housing Cover	1
01B-5	T315106	Grease Nipple	1	14A	Q021701	Oil Seal	1	33A	Q010060	"O" Ring	1
01B-6	U010052	Case Cover	1	15A	15A	Wormgear Cover Kit	1	34A	Q022502	Oil Seal	1
01B-7.	N950001	Spring	1	15A-1	C020099	Wormgear Cover	1	35B	35B	DC Motor Kit	1
02B	02B	Roller Spindle Kit	3	15A-2.	S060616	Cap Screw	3	35B-1	L451111	DC Motor	1
02B-1	C020123	Axle base	1	16A	A500303	Sprocket	2	35B-2	N030006	Spring Washer	4
02B-2	A500334	Bushing	1	17A	A500307	Double-Sprocket	4	35B-3.	S900620	Cap Screw	4
02B-3	A500028	Bushing	1	18A	K330028	Chain (28S)	1	36A	36A	Grounding Wire Kit	1
02B-4	A500027	Bushing	1	19A	K330062	Chain (62S)	1	36A-1	S900512	Cap Screw	2
02B-5	A500031	Trust washer	1	20A	K330036	Chain (36S)	1	36A-2	N010510	Flat Washer	2
02B-6	G150041	washer	1	21A	21A	Oil Filler Cap Kit	1	36A-3	N050005	Lock Washer	4
02B-7.	G080019	Location Nut	1	21A-1	Q010012	"O" Ring	1	36A-4.	J910099	Grounding Wire 18AWGX120L	1
03A	03A	Hex Screw Kit	3	21A-2.	U010008	Oil Filler Cap	1	37A	37A	Housing Cover Kit	1
03A-1	E270006	Hex Screw	1	22B	22B	Control Panel Kit	1	37A-1	U010269	Housing Cover	1
03A-2.	N510026	Spring Washer	1	22B-1	J011240A	Control Panel	1	37A-2	S900620	Cap Screw	1
04A	04A	Vertical Column Kit	3	22B-2.	S050412-001	Tap Screw	1	37A-3.	S900630	Cap Screw	2
04A-1	G320132	Vertical Column	1	23B	23B	Control Panel Kit	1	38A	U210041	Roller	3
04A-2	N510015	Rack	1	23B-1	J011240A	Control Panel	1	39A	39A	Pivot-Joint Kit	1
04A-3.	T315106	Cap Screw	1	23B-2.	S050412-001	Tap Screw	1	39A-1	A250006	Pivot-Joint	1
05A	K330026	Chain	3	27A	27A	Protecting Cover Kit	1	39A-2	S900825	Cap Screw	4
06B	06B	Wing Bolt set	3	27A-1	U010274	Protecting Cover	1	39A-3.	N810816	Lock Pin	2
06B-1	C020132	Wing Bolt	1	27A-2.	S900525	Cap Screw	1	40A	A250007	45 Degree Swivel Kit	1
06B-2.	N082029	Wave spring washer	1	28A	28A	Wire clamp Kit	1	41A	G020113	Screw (M16XP1.5)	1
07A	07A	Sprocket Kit	3	28A-1	U010278	Wire clamp	1	42A	42A	Pull Handle Kit	1
07A-1	A500309	Sprocket	1	28A-2.	S050408-001	PH. Screw	2	42A-1	T060032	Pull Handle	1
07A-2	N050057	Lock Washer	2	29A	J530003	Cable Gland	1	42A-2.	N810622	Lock Pin	1
07A-3.	S900620	Cap Screw	2	30B	30B	Drive Plate Kit	1	43B	43B	Locating Pin Kit	1
08A	08A	Housing Frame Kit	1	30B-1	J011238A	Drive Plate	1	43B-1	G320275	Locating Pin	1
08A-1	C020128	Housing Frame	1	30B-2	S900540	Cap Screw	2	43B-2	N930039	Comp. Spring	1
08A-2	A500301	Bushing	1	30B-3	J340011	Fuse	2	43B-3.	U010307	Pin Knob	1
08A-3	U010273	Lubricant Gauge	1	30B-4.	S500408	PH. Screw	2	44A	J625422	Power Cord	1
08A-4	C070004	Lubricant Gauge Panel	1	32A	U010117	Spacer	1	45A	J625423	Power Cord	1
08A-5.	S100610	Set Screw	3	33A	Q010060	"O" Ring	1	46A	J625424	Power Cord	1
09A	09A	Flip Handle-Kit	1	34A	Q022502	Oil Seal	1	47A	J625425	Power Cord	1
09A-1	U010275	Flip Handle	1	35B	35B	DC Motor Kit	1	48A	U210042	Separated Roller	6
09A-2	S901050	Cap Screw	1	35B-1	L451111	DC Motor	1	49A	J110019A	Button Switch -110V	1
09A-3	N011019	Flat Washer	2	35B-2	N030006	Spring Washer	4	50A	J110018A	Button Switch-220V/1ph	1
09A-4.	N12010R-001	Flange Nut	1	35B-3.	S900620	Cap Screw	4	51A	J110016A	Button Switch-220V/3ph	1
10A	Q010072	"O" Ring	1	36A	36A	Grounding Wire Kit	1				
11B	C120022	Worm Gear	1	36A-1	S900512	Cap Screw	2				

# MODEL: SG13(L) HEAVY-DUTY UNIVERSAL STAND



Part No.	Code No.	Description	Q'ty	Part No.	Code No.	Description	Q'ty	Part No.	Code No.	Description	Q'ty
01A	01A	Base Kit	1	07A	G320090	Elevating Screw	1	15A-1	E580002	Over Arm (720mm)	1
01A-1	A250401	Column Base	1	08A	05A	Fastener Kit	1	15A-2	G340004	Rack (650L)	1
01A-2	S601275	Hex Screw (M12-1.75Px75L)	1	08A-1	U010279	Fastener	1	15A-3.	S900510	Cap Screw M5	4
01A-3.	N050012	Lock Washer (M12)	1	08A-2	N015816	Flat Washer	1	16A	E580003A	Over Arm Kit (1050mm)	1
02A	02A	Handle Kit	1	08A-3.	S900825	Cap Screw M8X25L	1	16A-1	E580003	Over Arm (1050mm)	1
02A-1	N011225	Flat Washer (M12x25D)	1	09A	09A	Column Cape Kit	1	16A-2	G340005	Rack (980L)	1
02A-2.	G020010A	Handle(200mmL)	1	09A-1	C020110	Column Cape	1	16A-3.	S900510	Cap Screw M5X10L	5
03A	03A	Hex Screw Kit	1	09A-2.	A500317	T. Bushing	1	17A	17A	Dial Scale kit	1
03A-1	S601250	Hex Screw (M12-1.75Px50L)	4	10A	G150031	Washer	1	17A-1	U010287	Dial scale	1
03A-2.	N030012	Spring Washer (M12)	4	11A	11A	Handle Kit	1	17A-2	S500415	PH. Screw M4X15L	1
04A	E580013A	Vertical Column Kit	1	11A-1	U010139A	Handle w/ Bushing	1	17A-3.	N11004R	Nut	1
04A-1	E580013	Vertical Column	1	11A-2.	N810636	Lock Pin (6x36L)	1	18A	18A	Over Arm Cone Kit	1
04A-2	G340001	Rack	1	12A	U010011	Handle-Grip	1	18A-1	A250403	Over Arm Cone	1
04A-3	S900510	Cap Screw M5X10L	2	13A	13A	Hand wheel Kit	1	18A-2	U010119	Cord Sheath	1
04A-4.	S900516	Cap Screw M5X16L	1	13A-1	U010082	Hand wheel	1	18A-3	N030010	Washer	2
05A	03A	Elevating Bracket Kit	1	13A-2.	N810636	Lock Pin (6x36L)	1	18A-4	S601050	Screw	2
05A-1	A250402	Elevating Bracket	1	14A	14A	Pinion	1	18A-5.	P200125	Pointer Panel	1
05A-2	S601275	Hex Screw (M12-1.75Px75L)	2	14A-1	G020001	Set Screw (M8-1.25Px25L)	1	19A	G020005	Stud M16	1
05A-3	N050012	Lock Washer (M12)	2	14A-2	G000007	Spring Washer (8.3x1.8t)	1	20A	20A	Handle Kit	1
06A	06A	Handle Kit	2	14A-3	N030008	Nut (M8-1.25P)	1	20A-1	G020007A	Handle	1
06A-1	N011225	Flat Washer	1	14A-4.	N11008R	Nut	1	20A-2	N810622	Lock Pin	1
06A-2.	G020006A	Handle	1	15A	E580002A	Over Arm Kit (720mm)	1				